

# Arden

**L532** 66" x 32" x 24"  
Center Drain  
Oval



White  
L532-F67-WHITE

**WARRANTY:** 10-Year Limited Warranty

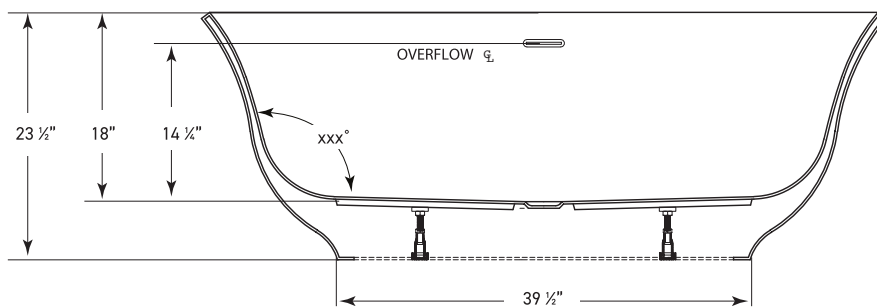
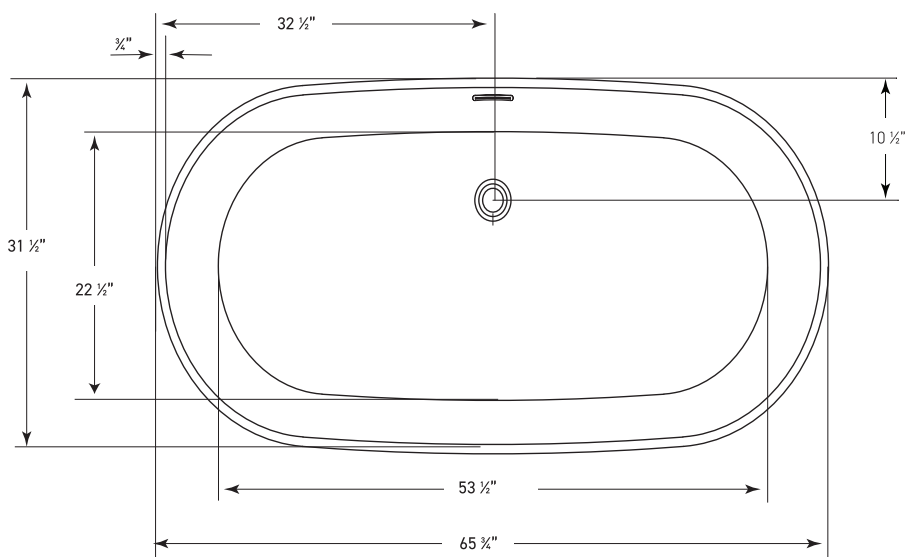
**BATHTUB WEIGHT:** 119 lbs

**SHIPPING WEIGHT:** 127 lbs

**GALLONS:** 69 gallons

**DRAIN:** Trimless, integrated waste and overflow with factory-installed toe-tap drain.

**INSTALLATION:** Measure tub before installing. Dimensional variance on drawings may be +/- 1/2 inch and are subject to change without notice.



### ABOVE FLOOR DRAIN KIT

- Freestanding tub rough-in
- Install before tile
- Designed to be installed in a 8" to 10" joist space
- Can be installed with waterproof membrane

01-83-0495

FREESTANDING | ACRYLIC

© 2025 Jetta Corporation. All rights reserved. Specifications are subject to change without notice.

**JETTA**  
800-288-7771 | JettaCorp.com