

Fitz

L531 67" x 32" x 23"

Center Drain

Oval



White
L531-F67-WHITE



WARRANTY: 10-Year Limited Warranty

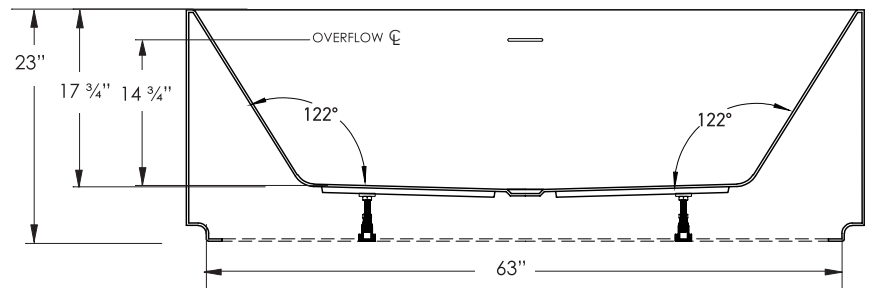
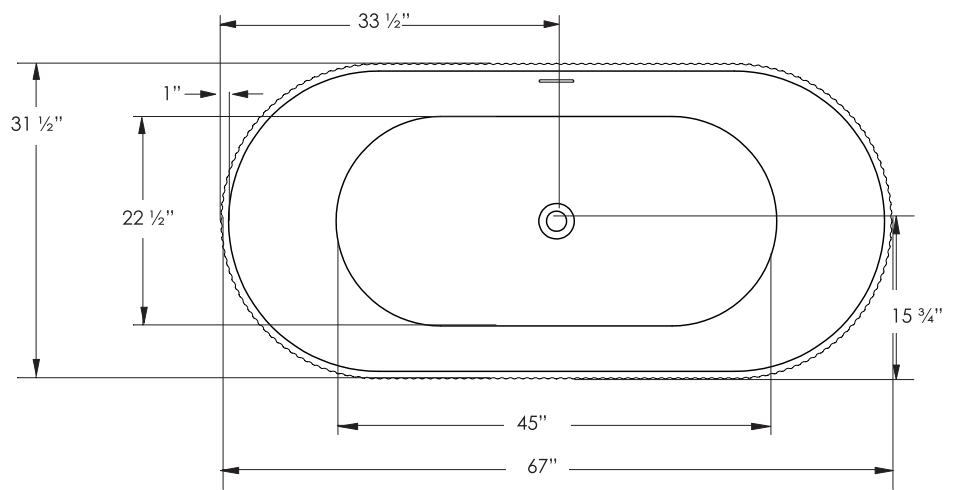
BATHTUB WEIGHT: 92 lbs

SHIPPING WEIGHT: 119 lbs

GALLONS: 72 gallons

DRAIN: Trimless, integrated waste and overflow with factory-installed toe-tap drain.

INSTALLATION: Measure tub before installing. Dimensional variance on drawings may be +/- 1/2 inch and are subject to change without notice.



ABOVE FLOOR DRAIN KIT

- Freestanding tub rough-in
- Install before tile
- Designed to be installed in a 8" to 10" joist space
- Can be installed with waterproof membrane

01-83-0495

FREESTANDING | ACRYLIC

© 2025 Jetta Corporation. All rights reserved. Specifications are subject to change without notice.

JETTA

800-288-7771 | JettaCorp.com