

Walk-in Collection

J90

52" x 30" x 39"

IN-SWING DOOR



THERAPY PREMIUM
HYDROTHERAPY



JETTA

BROADMOOR

52" x 30" x 39" - RECTANGLE



STANDARD THERAPY PREMIUM FEATURES

- Dual Whirlpool System
 - Backrest - 6 low profile comfort jets
 - Foot well - 4 directional and flow-adjustable jets.
 - 1.5 BHP pump - 7.5 amps
- Jetta Air System
 - Seamless air injectors around tub perimeter
 - Variable speed blower with 600-watt heater:
 - 115 Volt - 10 Amps 1 HP
- Jetta Warm
- Active Drain system
- Floating remote control and mounted keypad control
- Inline Heater
- Clear Mood Light
- Polyurethane foam insulation

STANDARD SAFETY FEATURES

- Built-in safety grab bar
- Safety U-Bar
- Slip resistant bottom
- Polished Chrome ADA waste & overflow
- S-shaped ergonomic door

STANDARD INSTALLATION FEATURES

- 3-sided tile flange kit
- Wall extension kit to fit standard 60" opening



OPTIONS AVAILABLE

- Roll-up Gel Spa Pillow
- Contoured Seat Cushion

COLORS AVAILABLE

White

WARRANTY

Lifetime Limited

RECOMMENDED OPERATING

GALLONS Regular Usage - 75 gal.

NEW!

DUAL ZONE JETTA WHIRL THERAPY SYSTEM

2 jet zones target the legs and feet only or legs, feet, and back. 6 back jets and 4 lower leg jets provide targeted massage. In-line heater maintains water temperature throughout bath.

AVAILABLE

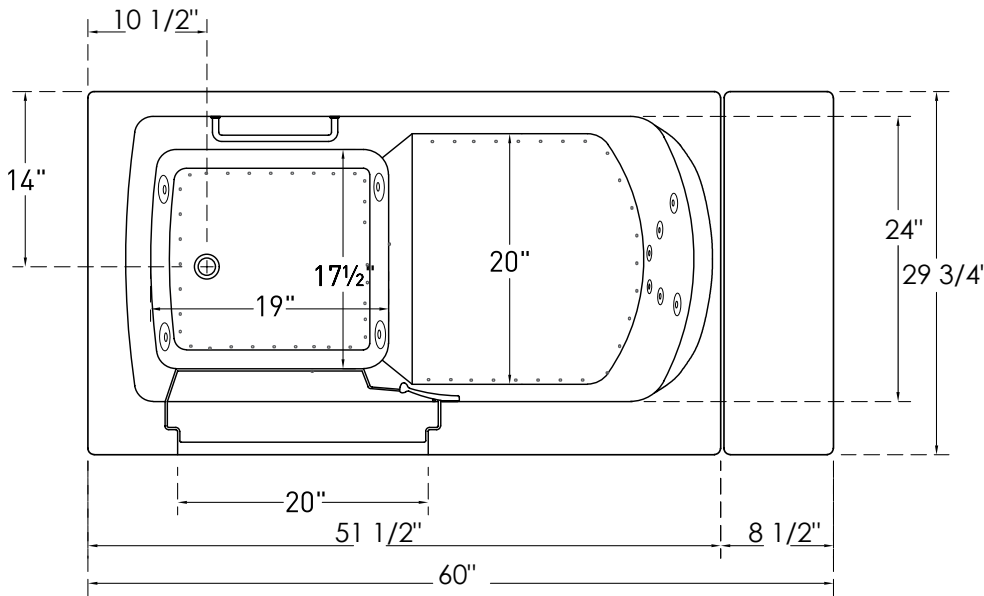


J90

Walk-in Collection

BROADMOOR

THERAPY PREMIUM HYDROTHERAPY | 52" x 30" x 39" | IN-SWING DOOR



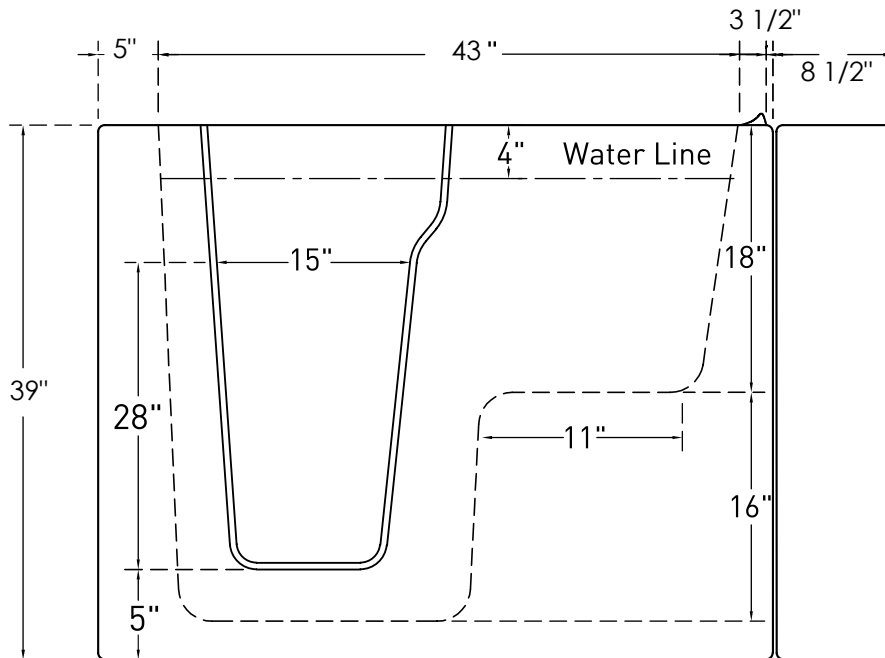
ELECTRICAL SPECIFICATIONS

Required Electrical Service
(1) Dedicated 20 amp GFI breaker 110/115 Volts

CODES/STANDARDS APPLICABLE

Specific model meets or exceeds the requirements for the following standards: ANSI, ASME

SHIPPING WEIGHT 275 lbs



MEASURE TUB BEFORE INSTALLATION.

Dimensional variance on drawings may be +/- 1/2 inch and are subject to change without notice.

JETTACORP.COM



© 2021 Jetta Corporation. All rights reserved. Specifications are subject to change without notice. REV 12/2021

TECHNICAL SPECIFICATIONS