

COSMO+PLUS

ANNA

J891

71"L x 31"W x 23"H

APPROX. OPERATING GALLONS: 75

- Sleek, contemporary look
- High-gloss/high-impact, UV-resistant acrylic will not dull or fade
- Installation: Freestanding
- Leveling feet
- Integrated linear waste & overflow with white drain cap



COLORS AVAILABLE: White



accommodates
stacked packaging

ABOVE FLOOR DRAIN KIT

- Freestanding tub rough-in
 - Install before tile
 - Designed to be installed in a 8" to 10" joist space
 - Can be installed with waterproof membrane
- Sold separately. Not required for tub install.**



JETTACORP.COM

FOR INFORMATION OR
TO PLACE AN ORDER

CALL 1.800.288.7771

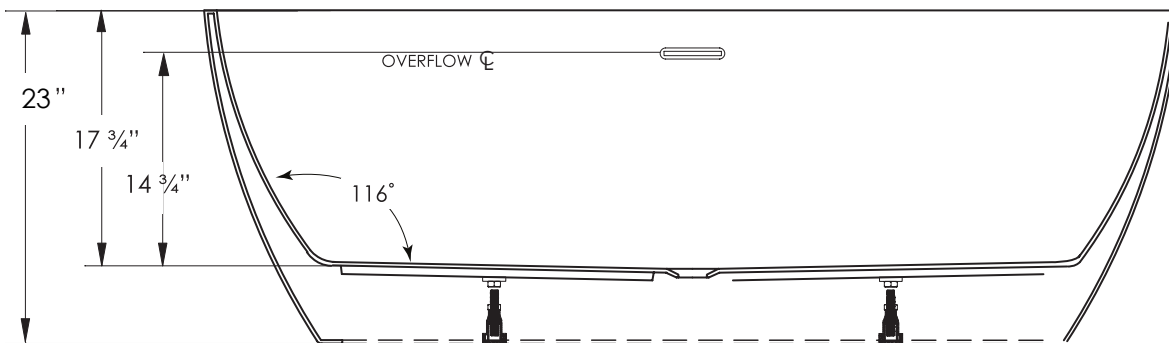
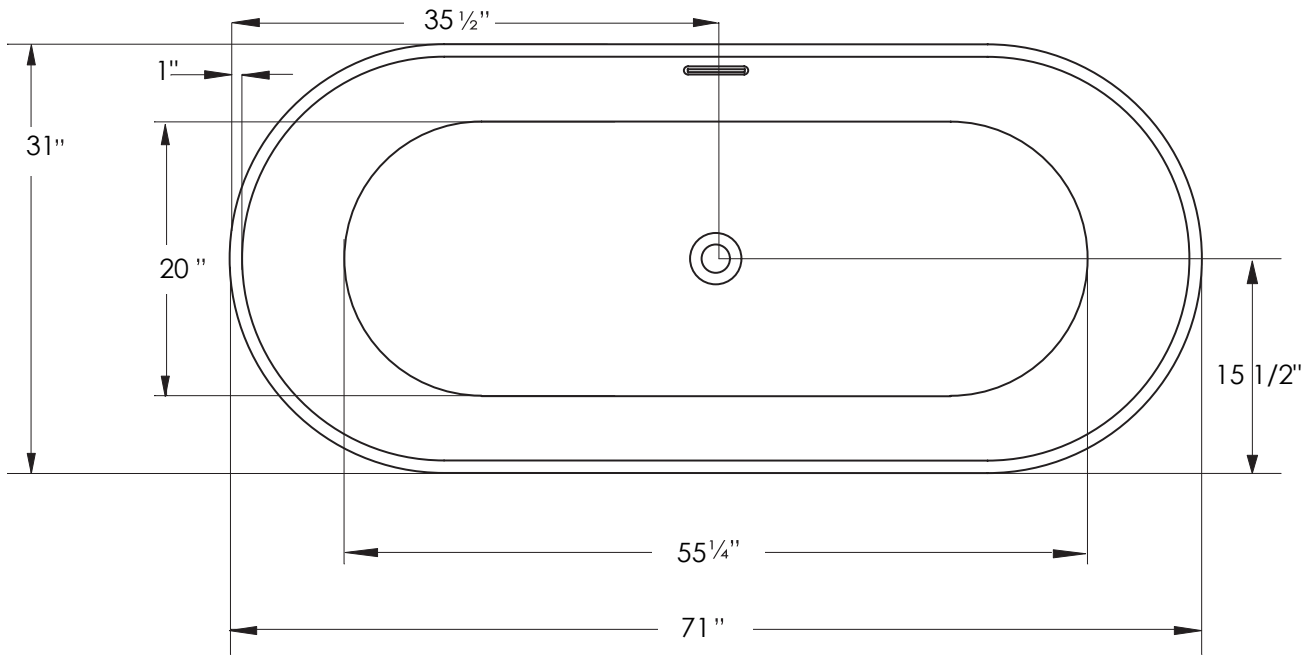
ANNA J891

SHIPPING WEIGHT: 127 lbs

71"L x 31"W x 23"H

COSMO PLUS

TECHNICAL SPECIFICATIONS



INSTALLATION: Measure tub before installing.

Dimensional variance on drawings may be +/- 1/2 inch and are subject to change without notice.

© 2023 Jetta Corporation. All rights reserved. Specifications are subject to change without notice. REV 4/23



JETTACORP.COM