

COSMO+PLUS

LARISSA

J845

67" L x 31" W x 27" H

APPROX. OPERATING GALLONS: 60

- Sleek, contemporary look
- High-gloss/high-impact, UV-resistant acrylic will not dull or fade
- Installation: Freestanding
- Leveling feet
- Integrated linear waste & overflow with white drain cap
- Available with JettaAir
- JettaAir features floating remote control for easy operation
- JettaAir available with seamless air injectors around tub perimeter
- JettaAir blower must be remote mounted at installation



COLORS AVAILABLE: White

ABOVE FLOOR DRAIN KIT

- Freestanding tub rough-in
 - Install before tile
 - Designed to be installed in a 8" to 10" joist space
 - Can be installed with waterproof membrane
- Sold separately. Not required for tub install.**




JETTACORP.COM

FOR INFORMATION OR
TO PLACE AN ORDER
CALL 1.800.288.7771

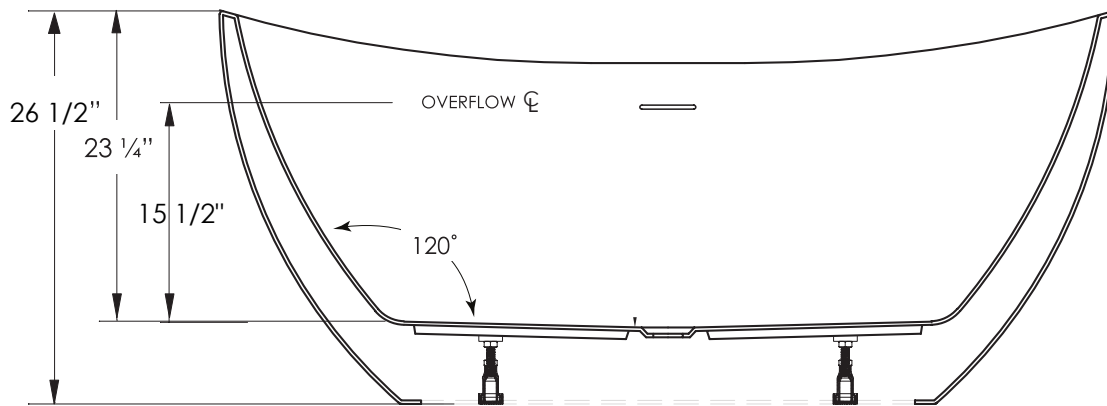
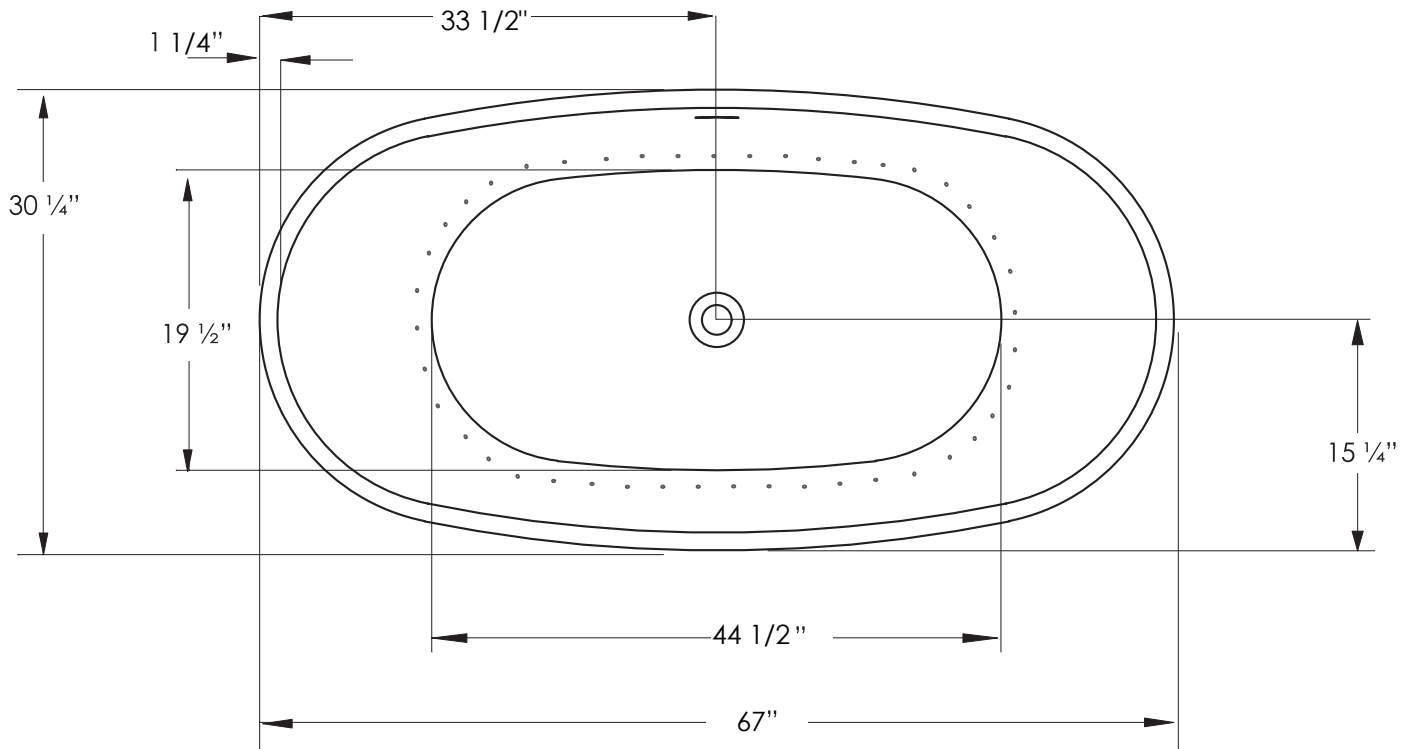
LARISSA J845


SHIPPING WEIGHT: 108 lbs

67" L x 31" W x 27" H

COSMO+PLUS

TECHNICAL SPECIFICATIONS



ELECTRICAL SPECIFICATIONS	Each blower must be protected by a dedicated GFI breaker (refer to local codes). Cannot be more than 15 ft from the tub.	CODES/STANDARDS APPLICABLE	
Required Electrical Service Standard Air	110/115 Volts 20 amp GFI	Specific model meets or exceeds the requirements for the following standards: ANSI, ASME	

INSTALLATION: Measure tub before installing.
Dimensional variance on drawings may be +/- 1/2 inch and are subject to change without notice.

© 2023 Jetta Corporation. All rights reserved. Specifications are subject to change without notice. REV 4/23



JETTACORP.COM