

Affinity Collection

J55L

66" X 42" X 21"

CENTER DRAIN



JETTAIR
HYDROTHERAPY



JETTA

KNOX

66" X 42" X 21" - RECTANGLE (2 PERSON)

FEATURES

- 37 seamless air injectors
- 600 watt air heater
- Suitable for drop-in or undermount applications
- High gloss/high impact acrylic
- Totally insulated with polyurethane foam
- Pre-leveled lip
- Slip resistant bottom
- Linear drain - Purchase Required
- LED light standard
- Electronic keypad control
- Sound absorption
- 10 year limited factory warranty




JETTAWARM begins.

JettaWarm is a surface heating system secured beneath the acrylic in a blanket of insulation to provides gentle warmth on the back rest of your tub before your bath

Activates in minutes, bathers can relax from the moment they enter the tub. Soaker tubs have full backrest coverage, while a whirlpool or combo has a system designed to wrap around the hydrotherapy features and warm the acrylic where you need it.



OPTIONS AVAILABLE

- Spa pillows
- 6" acrylic grab bars
- JettaWARM Heated Backrest 

COLORS AVAILABLE

Standard Color: White

Decorator Colors*: Bone or biscuit

*Require additional lead time

RECOMMENDED OPERATING GALLONS

Minimum: 55

Maximum: 110

*Minimum operating gallon capacity required for system operation

JETTACORP.COM



J55L

Affinity Collection **KNOX**

JETTA AIR HYDROTHERAPY | 66" X 42" X 21" | CENTER DRAIN

ELECTRICAL SPECIFICATIONS

Required Electrical Service 110/115 Volts
Standard Air 20 amp GFI
Each blower must be protected by a dedicated GFI breaker (refer to local codes).

CODES/STANDARDS APPLICABLE

Specific model meets or exceeds the requirements for the following standards: ANSI, ASME.

SUGGESTED BLOWER ACCESS PANEL

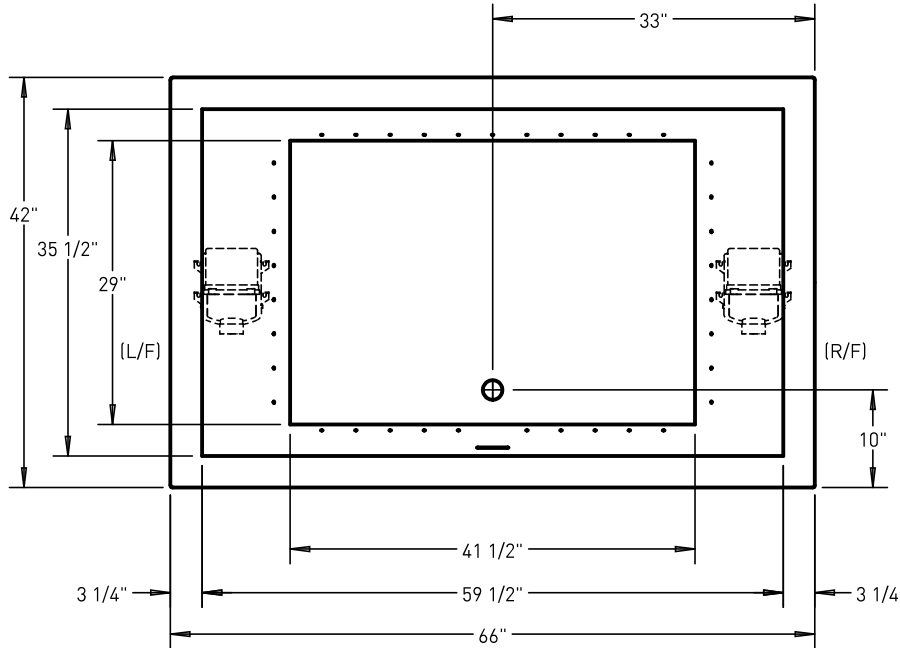
Suggested access size 20" x 12"
Actual size may vary depending on distance of access to blower location.

DROP-IN CUT OUT DIMENSIONS

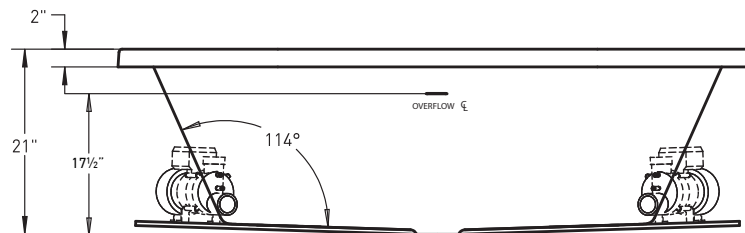
Subtract 1" from length and width dimensions
Actual cut out dimension 65" x 41"

SHIPPING WEIGHT 165 lbs

*L/F, R/F blower positions are standard.
Custom blower locations available upon request.



Note: optional pump/blower positions available.



INSTALLATION: MEASURE TUB BEFORE BUILDING TUB DECK.

For best results, Jetta Corporation recommends 1"-3" of mortar bedding under the tub base for maximum support. Drawing shows manufacturer's standard blower location(s). Contact Jetta for details. Dimensional variance on drawings may be +/- 1/2 inch and are subject to change without notice.

JETTACORP.COM



© 2020 Jetta Corporation. All rights reserved. Specifications are subject to change without notice.
REV 09/2020

TECHNICAL SPECIFICATIONS