

Affinity Collection

# J530L

66" X 36" X 21"

CENTER DRAIN



JETTAWHIRL  
HYDROTHERAPY



# JETTA

# ETTA

## 66" X 36" X 21" - RECTANGLE (2 PERSON)

### FEATURES

- 12 seamless InvisiJets including:
  - 2 back jets on each end
  - 4 body jets on each side
- 2 B.P.H. pump – 9 Amps
- Suitable for drop-in or undermount applications
- High gloss/high impact acrylic
- Contoured armrests
- Totally insulated with polyurethane foam
- Pre-leveled lip
- Slip resistant bottom
- Linear drain - Purchase Required
- JettaWARM heated backrest upgrade available
- 10 year limited factory warranty




**JETTAWARM**

JettaWarm is a surface heating system secured beneath the acrylic in a blanket of insulation to provides gentle warmth on the back rest of your tub before your bath begins.

Activates in minutes, bathers can relax from the moment they enter the tub. Soaker tubs have full backrest coverage, while a whirlpool or combo has a system designed to wrap around the hydrotherapy features and warm the acrylic where you need it.

### OPTIONS AVAILABLE

- Mood or LED light
- Spa Pillows
- 6" acrylic grab bars
-  JettaWARM Heated Backrest

### COLORS AVAILABLE

**Standard Color:** White

**Decorator Colors\*:** Bone and Biscuit

\*Require additional lead time

### RECOMMENDED OPERATING GALLONS

**Minimum:** 45

**Maximum:** 89

JETTACORP.COM

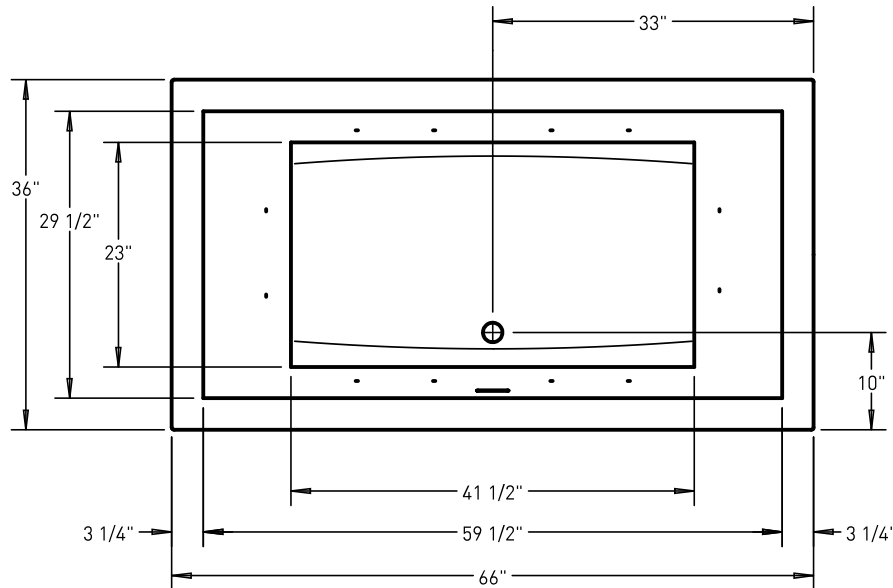


# J530L

Affinity Collection

# ETTA

JETTA WHIRL HYDROTHERAPY | 66" X 36" X 21" | CENTER DRAIN



### ELECTRICAL SPECIFICATIONS\*\*

Required Electrical Service  
110/115 Volts | 15 amp GFI

**\*\*Required if optional mood or LED light is specified, or if JettaWARM is selected as an upgrade**

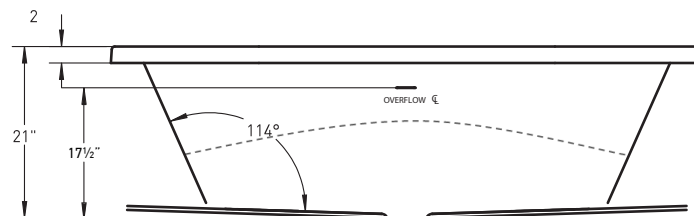
### CODES/STANDARDS APPLICABLE

for the following standards: UL Listed\*\*, ANSI, ASME

### DROP-IN CUT OUT DIMENSIONS

Subtract 1" from length and width dimensions; actual cut out dimension 65" x 35"

**SHIPPING WEIGHT** 145 lbs



### **INSTALLATION: MEASURE TUB BEFORE BUILDING TUB DECK.**

For best results, Jetta Corporation recommends 1"-3" of mortar bedding under the tub base for maximum support. Contact Jetta for details.

Dimensional variance on drawings may be +/- 1/2 inch and are subject to change without notice.



JETTACORP.COM

© 2020 Jetta Corporation. All rights reserved. Specifications are subject to change without notice. REV 01/2022

# TECHNICAL SPECIFICATIONS