

Affinity Collection

J530L

66" x 36" x 21"

CENTER DRAIN



COMBO
HYDROTHERAPY



JETTA

ETTA

66" x 36" x 21" - RECTANGLE (1 PERSON)

FEATURES

- 12 seamless InvisiJets including:
 - 2 jets on each end
 - 4 body jets on each side
 - 2 B.P.H. pump – 9 Amps
- 37 seamless air injectors
- 600 watt air heater
- Suitable for drop-in or undermount applications
- High gloss/high impact acrylic
- Fully insulated with ecofriendly foam
- Passive warm air induction system
- Gravity flow draining for sanitary bathing
- Anti-microbial flex piping
- Pre-leveled lip
- Slip resistant bottom
- Linear overflow
- LED light standard
- Electronic keypad control
- Sound absorption
- 10 year limited factory warranty



JettaWarm is a surface heating system secured beneath the acrylic in a blanket of insulation to provide gentle warmth on the back rest of your tub before your bath begins.

Activates in minutes, bathers can relax from the moment they enter the tub. Soaker tubs have full backrest coverage, while a whirlpool or combo has a system designed to wrap around the hydrotherapy features and warm the acrylic where you need it.



OPTIONS AVAILABLE

- Spa pillows
- 6" acrylic grab bars
- JettaWARM Heated Backrest

COLORS AVAILABLE

Standard Color: White

Decorator Colors*: Bone, Biscuit

*Require additional lead time

RECOMMENDED OPERATING GALLONS

Minimum: 45

Maximum: 89

*Minimum operating gallon capacity required for system operation



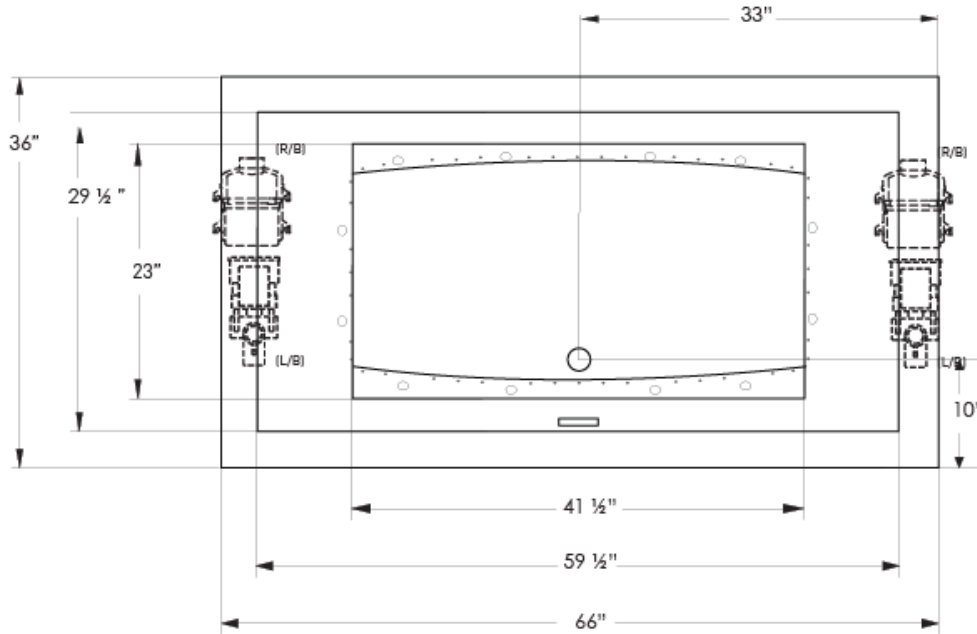
Jetta guarantees that the water temperature in our insulated whirlpool baths will stay within 2 degrees of its original fill temperature for 30 minutes of use without an inline heater.

f i n
JETTACORP.COM

J530L

Affinity Collection **ETTA**

JETTA COMBO HYDROTHERAPY | 66" x 36" x 21" | END DRAIN



ELECTRICAL SPECIFICATIONS

Required Electrical Service 110/115 Volts
Standard Whirlpool 20 amp GFI
Standard Air 20 amp GFI
Each blower must be protected by a dedicated GFI breaker (refer to local codes).

CODES/STANDARDS APPLICABLE

Specific model meets or exceeds the requirements for the following standards: ANSI, ASME

SUGGESTED PUMP ACCESS PANEL

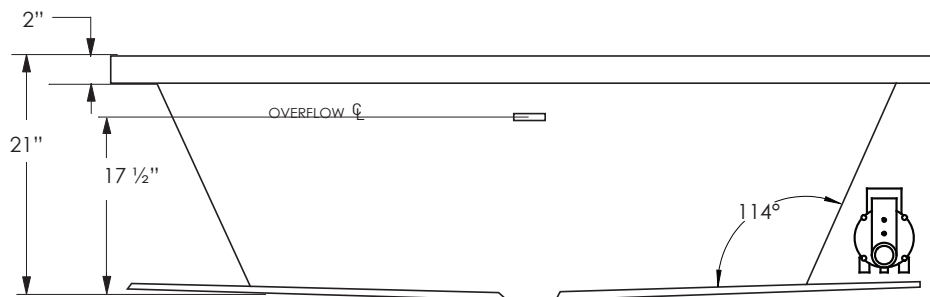
Suggested access size 20" x 12"
Actual size may vary depending on distance of access to pump & blower location.

DROP-IN CUT OUT DIMENSIONS

Subtract 1" from length and width dimensions
Actual cut out dimension 65" x 35"

SHIPPING WEIGHT 160 lbs

*L/B pump positions are standard.
Custom pump locations available upon request.



INSTALLATION: MEASURE TUB BEFORE BUILDING TUB DECK.

For best results, Jetta Corporation recommends 1"-3" of mortar bedding under the tub base for maximum support. Drawing shows manufacturer's standard pump location(s). Contact Jetta for details. Dimensional variance on drawings may be +/- 1/2 inch and are subject to change without notice.

JETTACORP.COM



© 2024 Jetta Corporation. All rights reserved. Specifications are subject to change without notice. REV 06/2024

TECHNICAL SPECIFICATIONS