

Affinity Collection

J49L

72" X 42" X 21"

CENTER DRAIN



JETTAWHIRL
HYDROTHERAPY



JETTA

DARBY

72" X 42" X 21" - OVAL (2 PERSON)

FEATURES

- 12 seamless InvisiJets including:
 - 2 back jets on each end
 - 4 body jets on each side
- 2 B.P.H. pump – 9 Amps
- Suitable for drop-in or undermount applications
- High gloss/high impact acrylic
- Totally insulated with polyurethane foam
- Passive warm air induction system
- Gravity flow draining for sanitary bathing
- Anti-microbial flex piping
- Pre-leveled lip
- Slip resistant bottom
- Linear drain - Purchase Required
- Sound absorption
- 10 year limited factory warranty

OPTIONS AVAILABLE

- Mood or LED light
- Spa pillows
- 6" acrylic grab bars
- JettaWARM Heated Backrest

COLORS AVAILABLE

Standard Color: White

Decorator Colors*: Bone or Biscuit

*Requires additional lead time

RECOMMENDED OPERATING GALLONS

Minimum: 54

Maximum: 107

*Minimum operating gallon capacity required for system operation



JETTACORP.COM

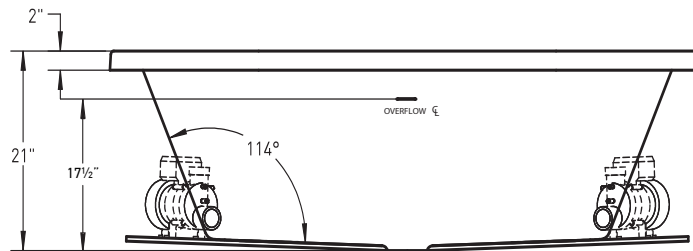
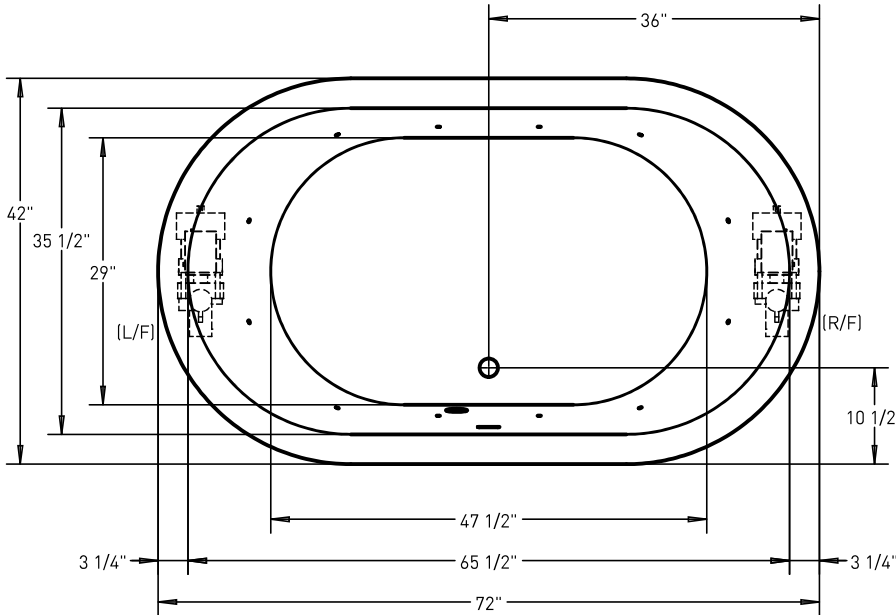


Jetta guarantees that the water temperature in our insulated whirlpool baths will stay within 2 degrees of its original fill temperature for 30 minutes of use without an inline heater.

J49L

Affinity Collection DARBY

JETTA WHIRL HYDROTHERAPY | 72" X 42" X 21" | CENTER DRAIN



ELECTRICAL SPECIFICATIONS

Required Electrical Service 110/115 Volts
Standard Whirlpool 20 amp GFI
Each pump must be protected by a dedicated GFI breaker (refer to local codes).

CODES/STANDARDS APPLICABLE

SUGGESTED PUMP ACCESS PANEL

Suggested access size 20" x 12"
Actual size may vary depending on distance of access to pump location.

DROP-IN CUT OUT DIMENSIONS

Template provided with tub or upon request.

SHIPPING WEIGHT 180 lbs



*L/F, R/F pump positions are standard.
Custom pump locations available upon request.

INSTALLATION: MEASURE TUB BEFORE BUILDING TUB DECK.

For best results, Jetta Corporation recommends 1"-3" of mortar bedding under the tub base for maximum support. Drawing shows manufacturer's standard pump location(s). Contact Jetta for details. Dimensional variance on drawings may be +/- 1/2 inch and are subject to change without notice.

JETTACORP.COM



© 2020 Jetta Corporation. All rights reserved. Specifications are subject to change without notice.
REV 08/2020

TECHNICAL SPECIFICATIONS