

Affinity Collection

# J45L

66" X 42" X 21"

CENTER DRAIN



**JETTAIR**  
HYDROTHERAPY




# JETTA

# DARBY

66" X 42" X 21" - OVAL (2 PERSON)

## FEATURES


- 33 seamless air injectors
- 600 watt air heater
- Suitable for drop-in or undermount applications
- High gloss/high impact acrylic
- Totally insulated with polyurethane foam
- Pre-leveled lip
- Slip resistant bottom
- Linear drain - Purchase Required
- LED light standard
- Electronic keypad control
- Sound absorption
- 10 year limited factory warranty

 JettaWarm is a surface heating system secured beneath the acrylic in a blanket of insulation to provides gentle warmth **JETTA WARM** on the back rest of your tub before your bath begins.

Activates in minutes, bathers can relax from the moment they enter the tub. Soaker tubs have full backrest coverage, while a whirlpool or combo has a system designed to wrap around the hydrotherapy features and warm the acrylic where you need it.



## OPTIONS AVAILABLE

- Spa pillows
- 6" acrylic grab bars
- JettaWARM Heated Backrest 

## COLORS AVAILABLE

**Standard Color:** White

**Decorator Colors\*:** Bone and Biscuit

\*Require additional lead time

## RECOMMENDED OPERATING GALLONS

**Minimum:** 47

**Maximum:** 94

\*Minimum operating gallon capacity required for system operation

[JETTACORP.COM](http://JETTACORP.COM)



# J45L

Affinity Collection **DARBY**

**JETTA AIR HYDROTHERAPY | 66" X 42" X 21" | CENTER DRAIN**

### ELECTRICAL SPECIFICATIONS

Required Electrical Service 110/115 Volts  
Standard Air 20 amp GFI  
Each blower must be protected by a dedicated GFI breaker (refer to local codes).

### CODES/STANDARDS APPLICABLE

Specific model meets or exceeds the requirements for the following standards: ANSI, ASME.

### SUGGESTED BLOWER ACCESS PANEL

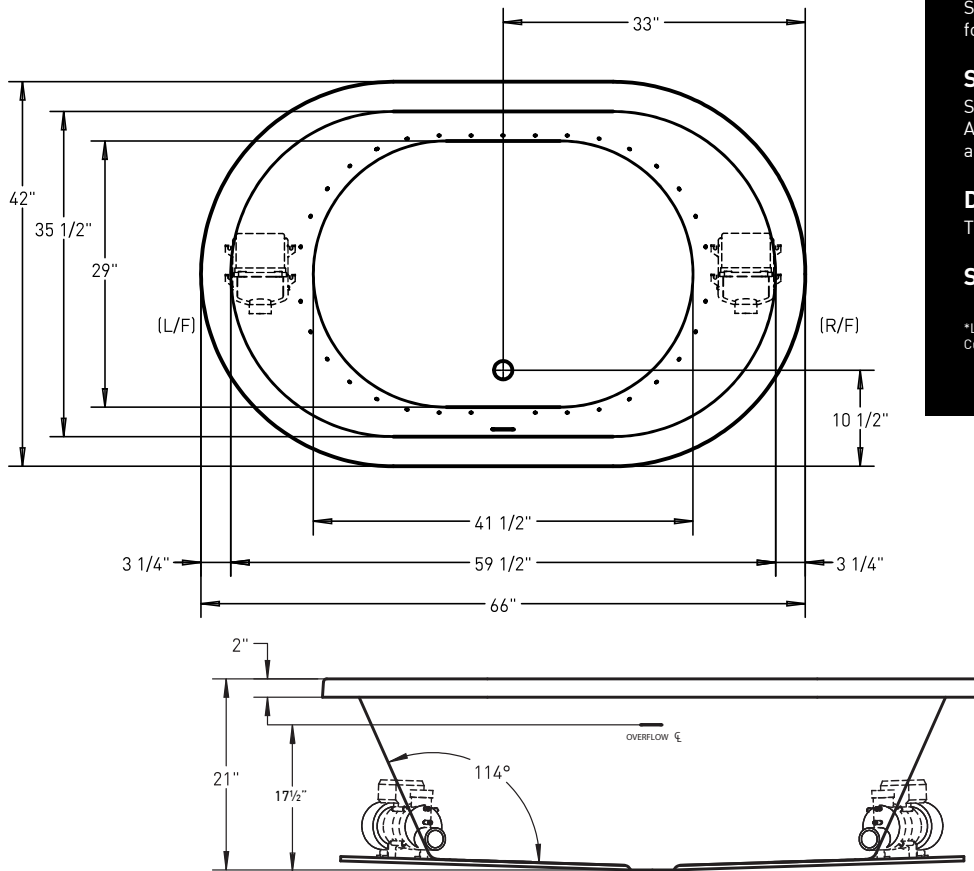
Suggested access size 20" x 12"  
Actual size may vary depending on distance of access to blower location.

### DROP-IN CUT OUT DIMENSIONS

Template provided with tub or upon request.

**SHIPPING WEIGHT** 165 lbs

\*L/F, R/F blower positions are standard.  
Custom blower locations available upon request.



### INSTALLATION: MEASURE TUB BEFORE BUILDING TUB DECK.

For best results, Jetta Corporation recommends 1"-3" of mortar bedding under the tub base for maximum support. Drawing shows manufacturer's standard blower location(s). Contact Jetta for details. Dimensional variance on drawings may be +/- 1/2 inch and are subject to change without notice.

JETTACORP.COM



© 2020 Jetta Corporation. All rights reserved. Specifications are subject to change without notice.  
REV 08/2020

## TECHNICAL SPECIFICATIONS