

THIS TUB COMES IN THE FOLLOWING LINES

# CLASSIC

# ARUBA J-11

60" X 60" X 23" CENTER DRAIN



COMBO  
HYDROTHERAPY

CORNER • 2 PEOPLE

OPERATING GALLONS  
REGULAR USAGE - 45 GAL.

## FEATURES

### GENERAL

- High-gloss, High-impact, UV-resistant acrylic will not dull or fade
- Suitable for drop-in application
- Slip resistant bottom

### WHIRLPOOL SYSTEM

- 6 flow-adjustable and directional jets, including:
  - 2 back jet
  - 4 hip jets
- 1.5 B.H.P pump - 7.5 Amps
- Passive warm air induction system

### AIR SYSTEM

- Seamless air injectors around tub perimeter
- Variable speed blower motor with 600 watt heater: 115 Volt - 10 Amps - 1 HP
- Mood light standard
- Electronic keypad control with variable speeds and 3 settings - Pulse, Wave, or Continuous

### COMFORT

- Armrests
- Lumbar back support
- Totally insulated with eco-friendly polyurethane foam for a warmer bathing experience

### CLEANLINESS

- Acrylic is easy to clean with standard non-abrasive household cleaning products
- Plumbed with anti-microbial flex piping
- Arched plumbing provides gravity flow draining for sanitary bathing
- Automatic purge keeps lines clean and dry

## OPTIONS AVAILABLE

- LED light
- Tri-ssage control for pump flow rates
- Bath waste & overflows
- Spa Pillows
- Neck jet therapy system
- Aromatherapy
- 6" acrylic grab bars
- Inline heater
- Speciality jet upgrade
- ABS tile flange

## TRIM KIT FINISHES

- Polished chrome
- Satin nickel
- Oil rubbed bronze
- Polished brass

## COLORS AVAILABLE

### STANDARD COLORS

White, Biscuit

### DECORATOR COLORS

Bone, Black, Ice Grey

## WARRANTY

10-year limited factory warranty



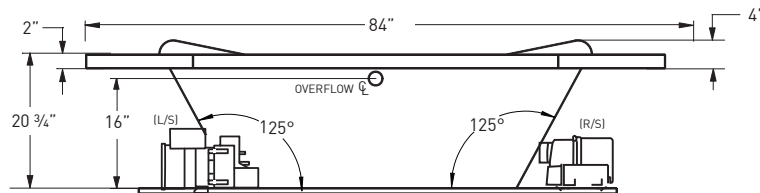
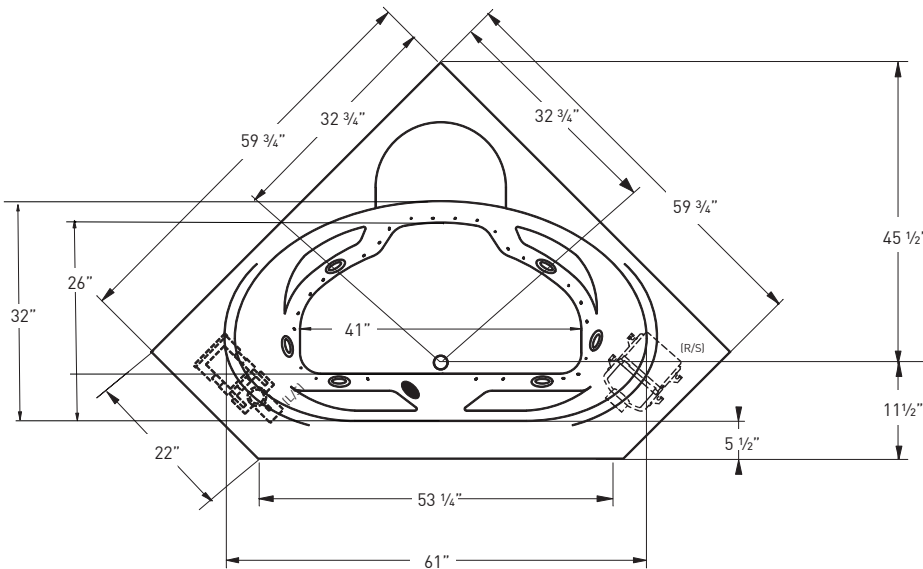
Jetta guarantees that the water in our insulated whirlpool baths will stay within 2 degrees of its original fill temperature for 30 minutes of use without an inline heater.



# J-11

Classic Collection **ARUBA**

**JETTA COMBO HYDROTHERAPY | 60" X 60" X 23" | CENTER DRAIN**



## ELECTRICAL SPECIFICATIONS

Required Electrical Service 110/115 Volts  
Standard Whirlpool 20 amp GFI  
Standard Air 20 amp GFI  
Each pump and blower must be protected by a dedicated GFI breaker (refer to local codes).

## CODES/STANDARDS APPLICABLE

Specific model meets or exceeds the requirements for the following standards: ANSI, ASME

## SUGGESTED PUMP & BLOWER ACCESS PANEL

Suggested access size 20" x 12"  
Actual size may vary depending on distance of access to pump & blower location.

## DROP-IN CUT OUT DIMENSIONS

Subtract 1" from length and width dimensions  
Actual cut out dimension 59" x 59"

**SHIPPING WEIGHT** 193 lbs



\*L/S pump, R/S blower positions are standard.  
Custom pump and blower locations available upon request.

## INSTALLATION: MEASURE TUB BEFORE BUILDING TUB DECK.

For best results, Jetta Corporation recommends 1"-3" of mortar bedding under the tub base for maximum support. Drawing shows manufacturer's standard pump and blower location(s). Contact Jetta for details. Dimensional variance on drawings may be +/- 1/2 inch and are subject to change without notice.

JETTACORP.COM



© 2017 Jetta Corporation. All rights reserved. Specifications are subject to change without notice.  
REV 06/2017

# TECHNICAL SPECIFICATIONS