



GARRETT

(E230)

72" x 36" x 19" END DRAIN

Designed with a minimalist bathing well to deliver a high-end modern look for your primary or secondary bath.

FEATURES

- High-gloss/high-impact, UV-resistant acrylic will not dull or fade
- Installation: Drop-in or Undermount
- Minimalist tub profile with a self leveling rim
- 1 person bathing well
- 5 flow-adjustable and directional jets, including: 1 back jet - 2 hip jets - 2 foot jets
- 1.5 B.H.P pump - 7.5 Amps

AVAILABLE MODELS

- Soaker
- Whirlpool

OPTIONS

- Waste and overflows
- Spa pillows

COLORS

White, Biscuit

OPERATING GALLONS

75 (Approximate)



FOR INFORMATION
OR TO PLACE AN ORDER
CALL 1.800.288.7771



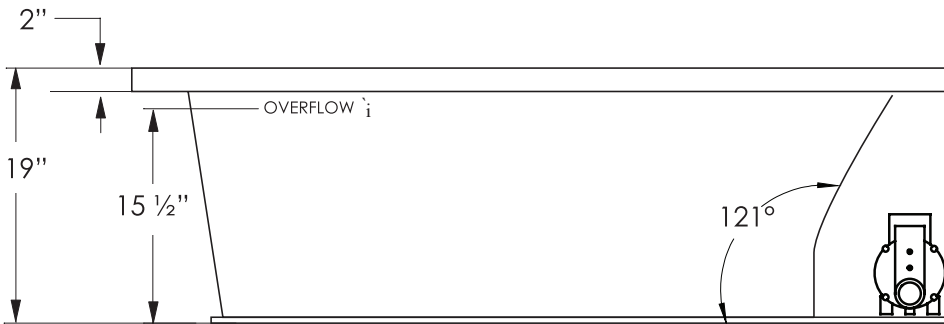
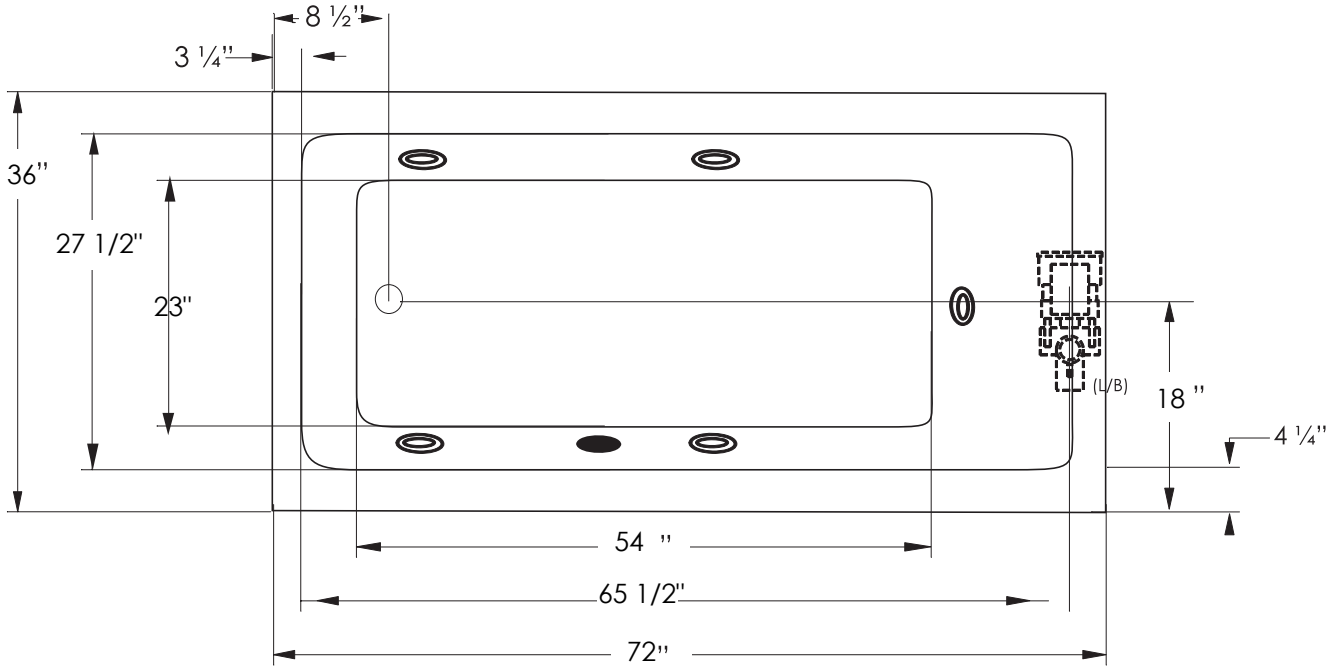
JETTAWHIRL

E230

Advantage Collection

GARRETT

JETTA WHIRL HYDROTHERAPY | 72" x 36" x 19" | END DRAIN



ELECTRICAL SPECIFICATIONS

Required Electrical Service 110/115 Volts
 Whirlpool 20 amp GFI
 Each pump must be protected by a dedicated GFI breaker (refer to local codes).

CODES/STANDARDS APPLICABLE

Specific model meets or exceeds the requirements for the following standards: ANSI, ASME

SUGGESTED PUMP ACCESS PANEL

Suggested access size 20" x 12"
 Actual size may vary depending on distance of access to pump location.

DROP-IN CUT OUT DIMENSIONS

Subtract 1" from length and width dimensions
 Actual cut out dimension 65" x 35"

SHIPPING WEIGHT 170 lbs

*L/B pump position is standard.
 Custom pump locations available upon request.



INSTALLATION: MEASURE TUB BEFORE BUILDING TUB DECK.

For best results, Jetta Corporation recommends 1"-3" of mortar bedding under the tub base for maximum support. Contact Jetta for details. Dimensional variance on drawings may be +/- 1/2 inch and are subject to change without notice.

JETTACORP.COM



© 2021 Jetta Corporation. All rights reserved. Specifications are subject to change without notice. REV 08/2021

TECHNICAL SPECIFICATIONS