



# GARRETT (E230)

**72" x 36" x 19" END DRAIN**

*Designed with a minimalist bathing well to deliver a high-end modern look for your primary or secondary bath.*

## FEATURES

- High-gloss/high-impact, UV-resistant acrylic will not dull or fade
- Installation: Drop-in or Undermount
- Minimalist tub profile with a self leveling rim
- 1 person bathing well

## AVAILABLE MODELS

- Soaker
- Whirlpool

## OPTIONS

- Waste and overflows
- Spa pillows

## COLORS

White, Biscuit

## OPERATING GALLONS

75 (Approximate)



FOR INFORMATION  
OR TO PLACE AN ORDER  
CALL 1.800.288.7771

Icons for Facebook, Twitter, Pinterest, and Instagram.  
JETTACORP.COM

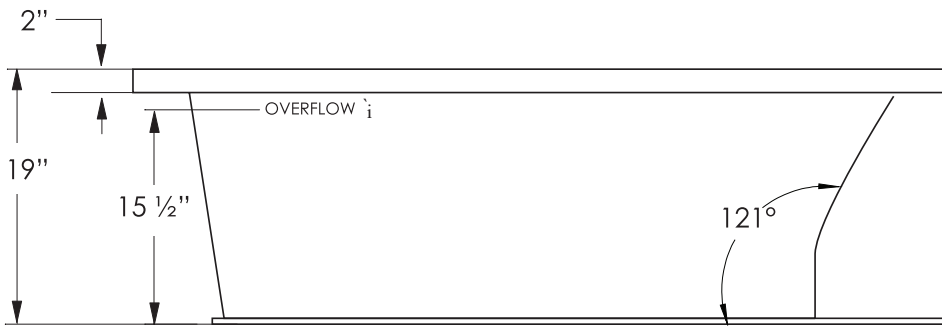
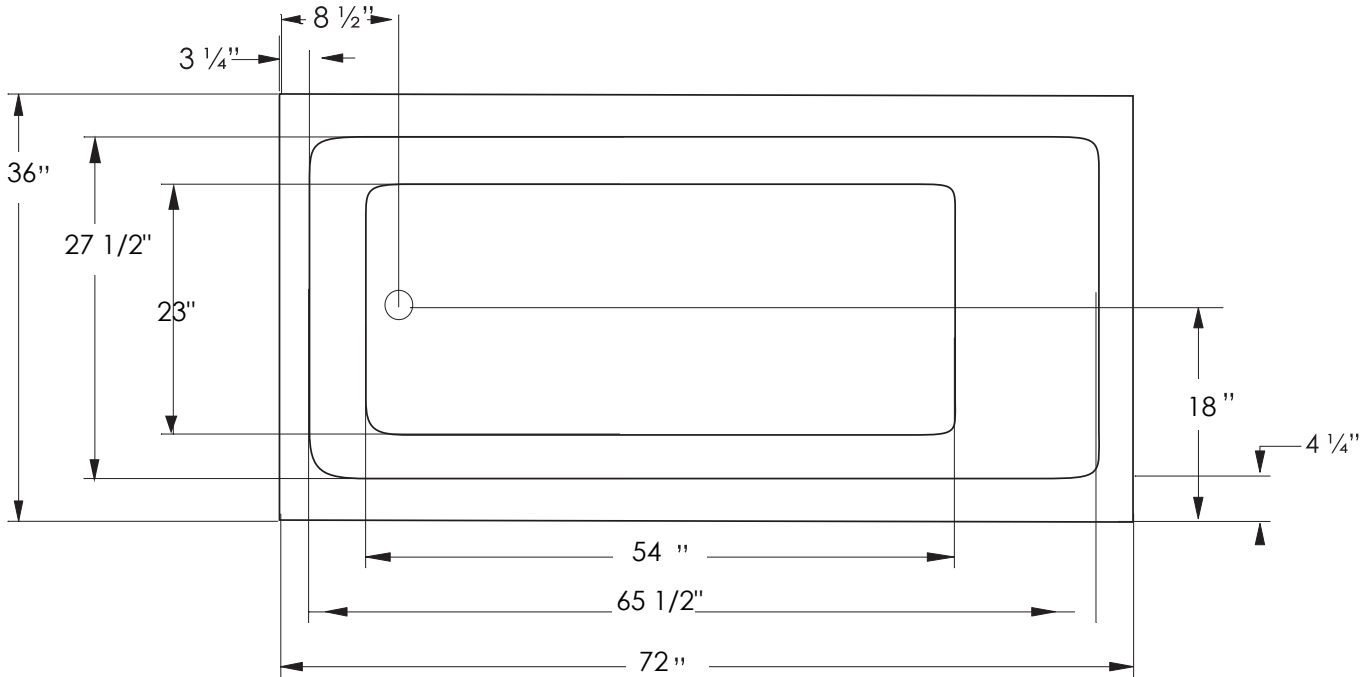
A large blue water drop icon above the text "JETTA SOAK" in a bold, sans-serif font.

# E230

Advantage Collection

# GARRETT

**JETTA SOAK HYDROTHERAPY | 72" x 36" x 19" | END DRAIN**



### ELECTRICAL SPECIFICATIONS

Required Electrical Service  
110/115 Volts | 15 amp GFI

### CODES/STANDARDS APPLICABLE

Specific model meets or exceeds the requirements for the following standards: ANSI, ASME

### DROP-IN CUT OUT DIMENSIONS

Subtract 1" from length and width dimensions  
Actual cut out dimension 65" x 35"

**SHIPPING WEIGHT** 170 lbs



\*Required only if optional mood or LED light is specified

### INSTALLATION: MEASURE TUB BEFORE BUILDING TUB DECK.

For best results, Jetta Corporation recommends 1"-3" of mortar bedding under the tub base for maximum support. Contact Jetta for details. Dimensional variance on drawings may be +/- 1/2 inch and are subject to change without notice.

JETTACORP.COM



© 2021 Jetta Corporation. All rights reserved. Specifications are subject to change without notice. REV 08/2021

# TECHNICAL SPECIFICATIONS