



ADDISON (E16)

65" x 40" x 23" END DRAIN

This compact, self-rimming oval bath with additional head and arm rests is designed for relaxation.

FEATURES

- High-gloss/high-impact, UV-resistant acrylic will not dull or fade
- Installation: Drop-in
- Minimalist tub profile with a self leveling rim
- 1 person bathing well
- Lumbar support and sculpted armrests
- Seamless air injectors around tub perimeter.
- Variable speed air blower - 115 Volt, 6.3 Amps, 1 HP
- Ambient air induction, with multi-function push button air switch
- Automatic purge cycle keeps lines clean and dry

AVAILABLE MODELS

- Soaker
- Whirlpool
- Air

OPTIONS

- Waste and overflows
- Spa pillows

COLORS

White, Biscuit

OPERATING GALLONS

40 (Approximate)

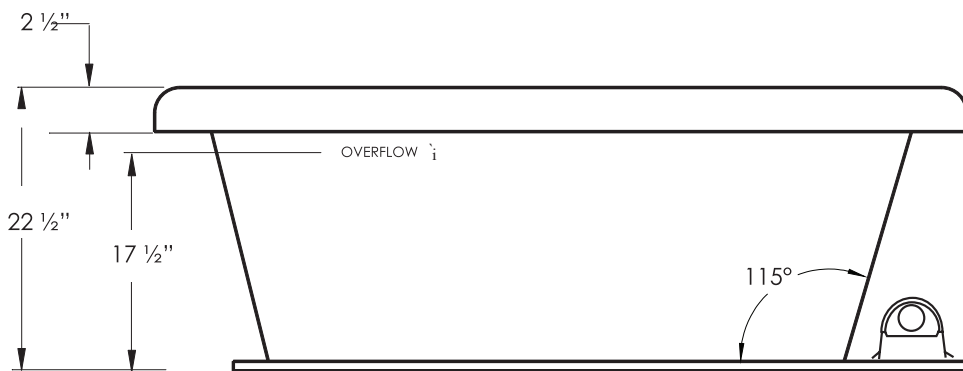
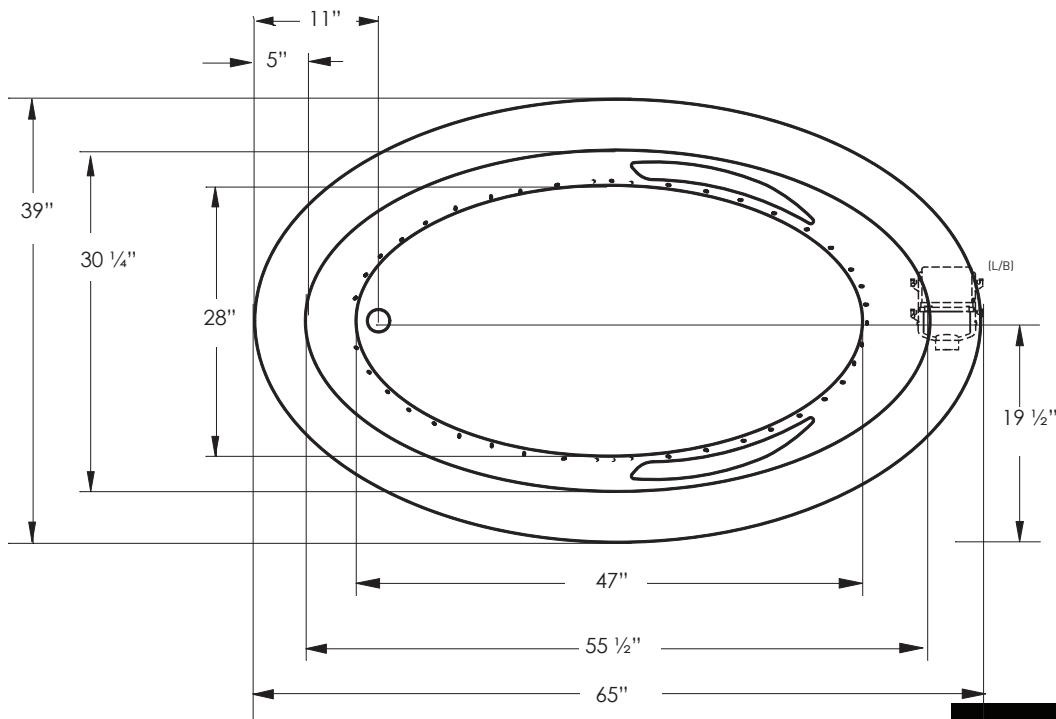


FOR INFORMATION
OR TO PLACE AN ORDER
CALL 1.800.288.7771


JETTACORP.COM



JETTA AIR HYDROTHERAPY | 65" x 40" x 23" | END DRAIN



ELECTRICAL SPECIFICATIONS

Required Electrical Service 110/115 Volts
 Standard Air 20 amp GFI
 Each blower must be protected by a dedicated GFI breaker (refer to local codes).

CODES/STANDARDS APPLICABLE

Specific model meets or exceeds the requirements for the following standards: ANSI, ASME

SUGGESTED BLOWER ACCESS PANEL

Suggested access size 20" x 12"
 Actual size may vary depending on distance of access to blower location.

DROP-IN CUT OUT DIMENSIONS

Template provided with tub or upon request.

SHIPPING WEIGHT 156 lbs

*L/B blower position is standard.
 Custom blower locations available upon request.



INSTALLATION: MEASURE TUB BEFORE BUILDING TUB DECK.

For best results, Jetta Corporation recommends 1"-3" of mortar bedding under the tub base for maximum support. Contact Jetta for details. Dimensional variance on drawings may be +/- 1/2 inch and are subject to change without notice.

JETTACORP.COM



© 2021 Jetta Corporation. All rights reserved. Specifications are subject to change without notice. REV 08/2021