



# COLONIAL (E02)

**72" x 36" x 20" END DRAIN**

*The comfort of arm and foot rests coupled with its streamlined appearance make the E02 a perfect solution.*

## FEATURES

- High-gloss/high-impact, UV-resistant acrylic will not dull or fade
- Installation: Drop-in
- Minimalist tub profile with a self leveling rim
- 1 person bathing well
- Lumbar support and sculpted armrests
- 5 directional jets, including: 1 back jet - 2 hip jets - 2 foot jets
- 1 B.H.P pump - 7.5 Amps

## AVAILABLE MODELS

- Soaker
- Whirlpool
- Air

## OPTIONS

- Waste and overflows
- Spa pillows

## COLORS

White, Biscuit

## OPERATING GALLONS

40 (Approximate)



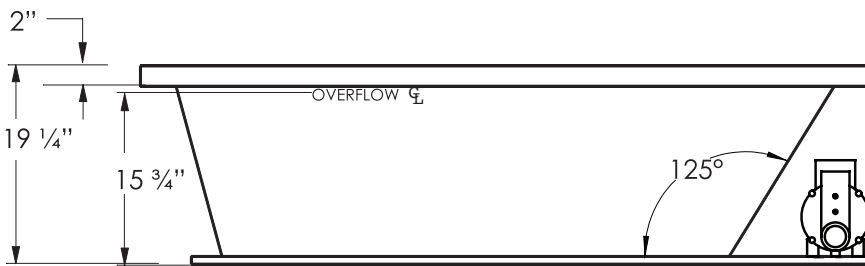
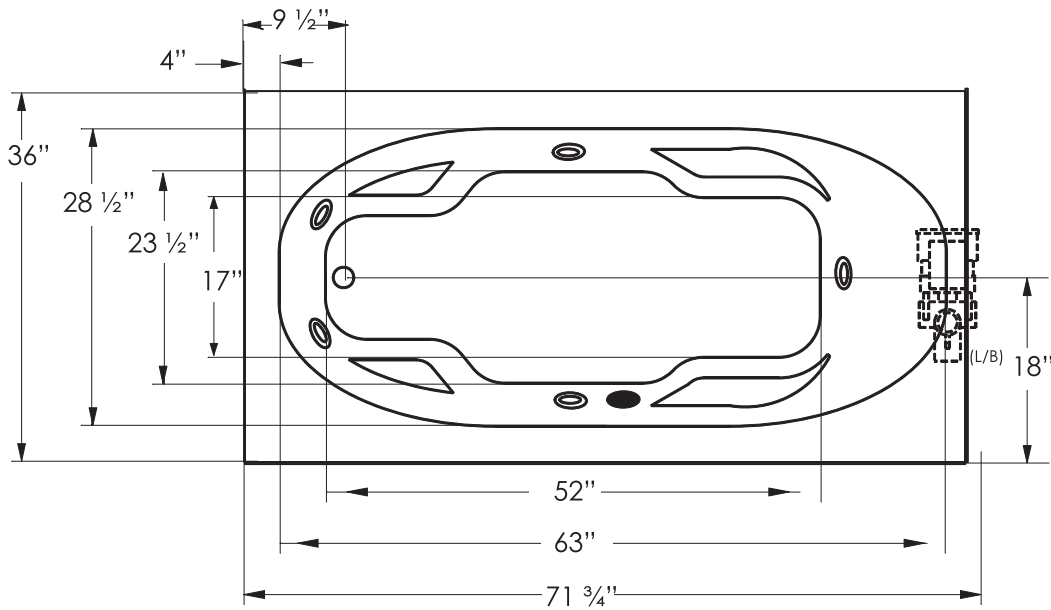
FOR INFORMATION  
OR TO PLACE AN ORDER  
CALL 1.800.288.7771

  
JETTACORP.COM



JETTA WHIRL

## JETTA WHIRL HYDROTHERAPY | 72" x 36" x 20" | END DRAIN



### ELECTRICAL SPECIFICATIONS

Required Electrical Service 110/115 Volts  
Whirlpool 20 amp GFI  
Each pump must be protected by a dedicated GFI breaker (refer to local codes).

### CODES/STANDARDS APPLICABLE

Specific model meets or exceeds the requirements for the following standards: ANSI, ASME

### SUGGESTED PUMP ACCESS PANEL

Suggested access size 20" x 12"  
Actual size may vary depending on distance of access to pump location.

### DROP-IN CUT OUT DIMENSIONS

Subtract 1" from length and width dimensions  
Actual cut out dimension 71" x 35"

**SHIPPING WEIGHT** 195 lbs

\*L/B pump position is standard.  
Custom pump locations available upon request.



### INSTALLATION: MEASURE TUB BEFORE BUILDING TUB DECK.

For best results, Jetta Corporation recommends 1"-3" of mortar bedding under the tub base for maximum support. Contact Jetta for details. Dimensional variance on drawings may be +/- 1/2 inch and are subject to change without notice.

JETTACORP.COM



© 2021 Jetta Corporation. All rights reserved. Specifications are subject to change without notice. REV 08/2021