

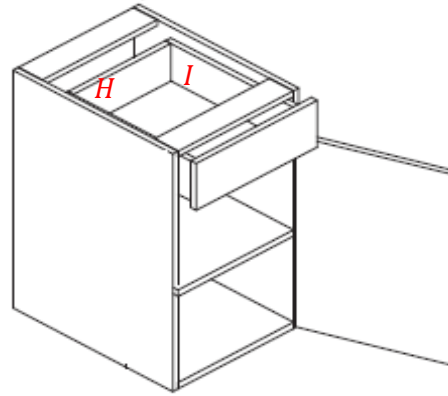
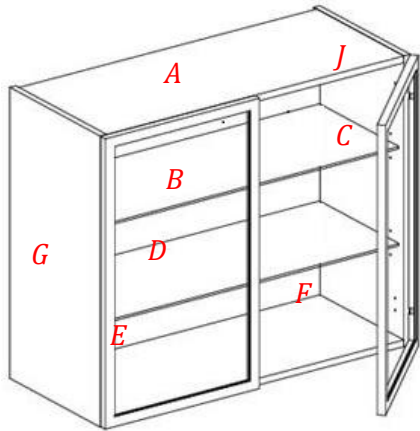
The logo for JETTA BATH & KITCHEN is displayed within a dark brown rectangular background. The word "JETTA" is written in a large, white, stylized font with a double outline. Below it, the words "BATH & KITCHEN" are written in a smaller, white, sans-serif font, also with a double outline.

JETTA
BATH & KITCHEN

European

2015 Product Specification Book

Product Overview

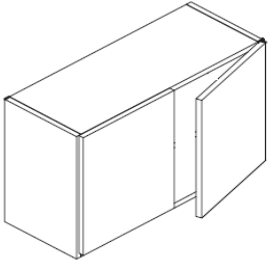
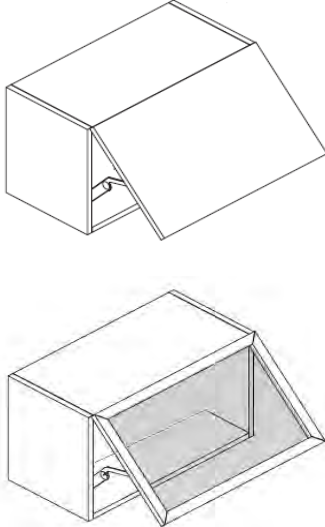


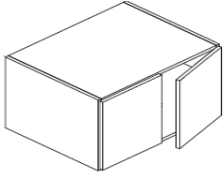
- A:** 3/4" thick , melamine faced particle board construction
- B:** 11/16" full extension, adjustable shelves
- C:** Self locking shelf pins
- D:** Thermal foil doors
- E:** 6-way adjustable, soft- close door hinges
- F:** White melamine interiors
- G:** Matching finish sides available when ordering
- H:** Drawer sides are metal, bottoms and backs are melamine gray
- I:** Soft close drawer glides
- J:** Wall cabinets are "Invertible"

Designer Door Styles Currently Available

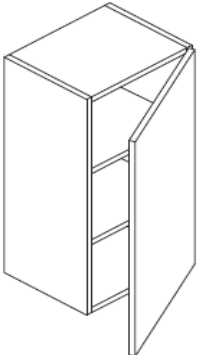
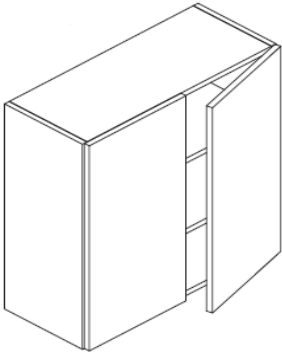


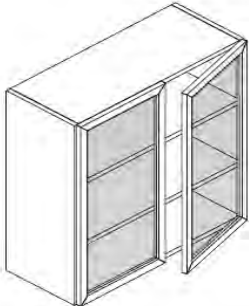
BRIDGE CABINETS

12" Deep Bridge Cabinet - 2 Doors			12" Deep Bridge Cabinet - 1 Door		
	W3012	30" W 12" T 12" D		W3012-HT	30" W 12" T 12" D
	W3015	30" W 15" T 12" D		W3015-HT	30" W 15" T 12" D
	W3018	30" W 18" T 12" D		W3018-HT	30" W 18" T 12" D
	W3021	30" W 21" T 12" D		W3021-HT	30" W 21" T 12" D
	W3024	30" W 24" T 12" D		W3612-HT	36" W 12" T 12" D
	W3315	33" W 15" T 12" D		W3615-HT	36" W 15" T 12" D
	W3318	33" W 18" T 12" D		W3618-HT	36" W 18" T 12" D
	W3612	36" W 12" T 12" D		W3621-HT	36" W 21" T 12" D
	W3615	36" W 15" T 12" D		W3012-G-HT	30" W 12" T 12" D
	W3618	36" W 18" T 12" D		W3015-G-HT	30" W 15" T 12" D
	W3621	36" W 21" T 12" D		W3018-G-HT	30" W 18" T 12" D
	W3624	36" W 24" T 12" D		W3612-G-HT	36" W 12" T 12" D
				W3615-G-HT	36" W 15" T 12" D
				W3618-G-HT	36" W 18" T 12" D

24" Deep (Refrigerator) Cabinet					<u>Ordering Notes:</u>
	W3015-24	W3015-24-G-HT	W3015-24-HT	30" W 15" T 24" D	<p>1.) Shelves Not Included</p> <p>2.) Glass Door Cabinets are available only in Hinge Top Mounted door style: WXX-G-HT</p> <p>3.) -24" deep bridge cabinets come with matching finished sides</p> <p>4.) All -12" deep bridge cabinets have options for matching finished sides</p>
	W3018-24	W3018-24-G-HT	W3018-24-HT	30" W 18" T 24" D	
	W3615-24	W3615-24-G-HT	W3615-24-HT	36" W 15" T 24" D	
	W3618-24	W3618-24-G-HT	W3618-24-HT	36" W 18" T 24" D	
	W3915-24			39" W 15" T 24" D	
	W3918-24			39" W 18" T 24" D	

WALL CABINETS

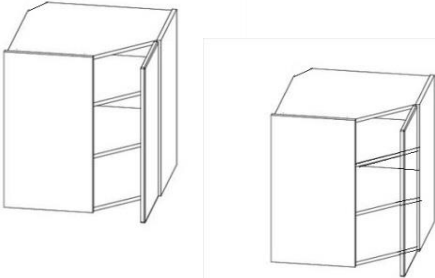
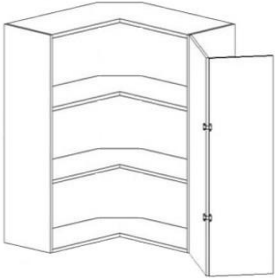
12" Deep Wall Cabinets - 1 Door			12" Deep Wall Cabinets - 2 Doors		
	W0930	9" W 30" T 12" D		W2430	24" W 30" T 12" D
	W1230	12" W 30" T 12" D		W2730	27" W 30" T 12" D
	W1530	15" W 30" T 12" D		W3030	24" W 30" T 12" D
	W1830	18" W 30" T 12" D		W3330	33" W 30" T 12" D
	W2130	21" W 30" T 12" D		W3630	36" W 30" T 12" D
	W0936	9" W 36" T 12" D		W2436	24" W 36" T 12" D
	W1236	12" W 36" T 12" D		W2736	27" W 36" T 12" D
	W1536	15" W 36" T 12" D		W3036	30" W 36" T 12" D
	W1836	18" W 36" T 12" D		W3336	33" W 36" T 12" D
	W2136	21" W 36" T 12" D		W3636	36" W 36" T 12" D

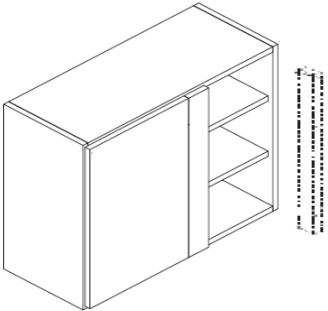
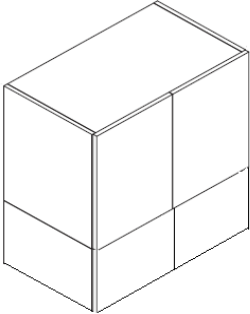
12" Deep Wall Cabinets - 2 Glass Doors		
	W2430-G	24" W 30" T 12" D
	W2436-G	24" W 36" T 12" D
	W3030-G	24" W 30" T 12" D
	W3036-G	30" W 36" T 12" D

Ordering Notes:

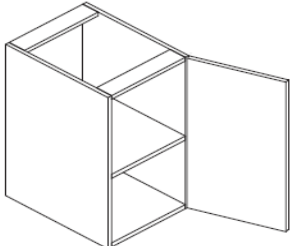
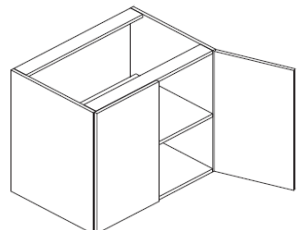
- 1.) 30" & 36" Tall Available
- 2.) Two (2) Shelves Included
- 3.) All the 12" Wall cabinets have options for matching finished sides

CORNER & END WALL CABINETS

24" Wall Diagonal Corner			24" EZ Reach Corner Wall Cabinet		
	WDC2430 WDC2436 WDC2430-G WDC2436-G	24" W 30" T 12" D 24" W 36" T 12" D 24" W 30" T 12" D 24" W 36" T 12" D		WEZ30 WEZ36	24" W 30" T 12" D 24" W 36" T 12" D
<u>Ordering Notes:</u>					
1.) Two (2) shelves included. 2.) WDC and WEZ cabinets have options for matching finished sides					

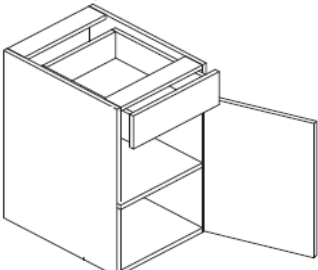
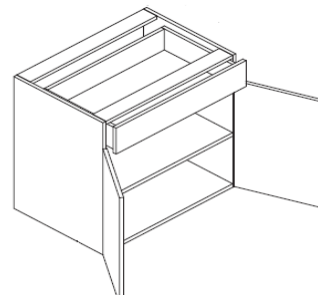
Wall Blind Cabinet			Microwave Cabinet		
	WBC2730 WBC2736 WBC3630 WBC3636	27" W 30" T 12" D 27" W 36" T 12" D 36" W 30" T 12" D 36" W 36" T 12" D		WMB304821 WMB305421	30" W 48" T 21" D 30" W 54" T 21" D
<u>Ordering Notes:</u>					
1.) Lower section is for Microwave with fixed height 17.5".					
<u>Ordering Notes:</u>					
1.) Two (2) shelves included 2.) WBC cabinets have 2" filler, options for matching finished sides 3.) Microwave Cabinets come with matching finished sides					

BASE & SINK BASE CABINETS

Base - (1) Full Height Door			Base - (2) Full Height Door		
	B09	9" W 34 1/2" T 24" D		B24-FH	24" W 34 1/2" T 24" D
	B12-FH	12" W 34 1/2" T 24" D		B27-FH	27" W 34 1/2" T 24" D
	B15-FH	15" W 34 1/2" T 24" D		B30-FH	30" W 34 1/2" T 24" D
	B18-FH	18" W 34 1/2" T 24" D		B33-FH	33" W 34 1/2" T 24" D
	B21-FH	21" W 34 1/2" T 24" D		B36-FH	36" W 34 1/2" T 24" D

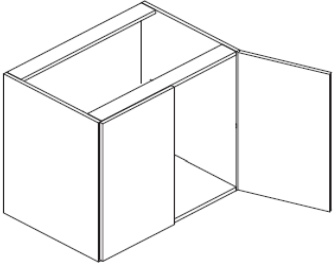
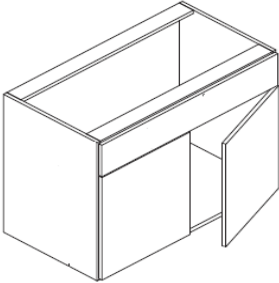
Ordering Notes:

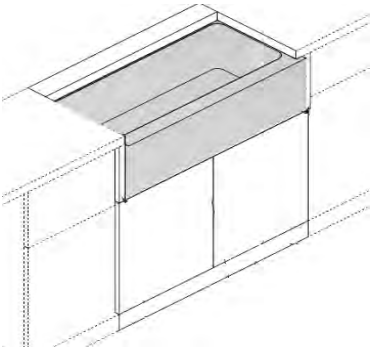
1.) All BXX-FH come with One (1) Shelf Only! 2.) All the BXX-FH have options for matching finished sides

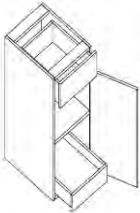
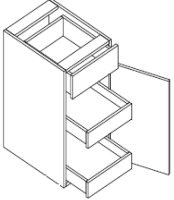
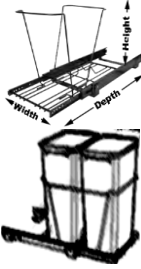
Base - (1) Door (1) Drawer			Base - (2) Doors (1) Drawer		
	B12	12" W 34 1/2" T 24" D		B24	24" W 34 1/2" T 24" D
	B15	15" W 34 1/2" T 24" D		B27	27" W 34 1/2" T 24" D
	B18	18" W 34 1/2" T 24" D		B30	30" W 34 1/2" T 24" D
	B21	21" W 34 1/2" T 24" D		B33	33" W 34 1/2" T 24" D
				B36	36" W 34 1/2" T 24" D

Ordering Notes:

1.) All BXX come with One (1) Shelf Only! 2.) B24 and wider base cabinets have two doors 3.) All the BXX have options for matching finished sides

Sink Base Full Height - (2) Doors			Sink Base - (2) Doors (1) False Drawer		
	SB24-FH	24" W 34 1/2" T 24" D		SB24	24" W 34 1/2" T 24" D
	SB27-FH	27" W 34 1/2" T 24" D		SB27	27" W 34 1/2" T 24" D
	SB30-FH	30" W 34 1/2" T 24" D		SB30	30" W 34 1/2" T 24" D
	SB33-FH	33" W 34 1/2" T 24" D		SB33	33" W 34 1/2" T 24" D
	SB36-FH	36" W 34 1/2" T 24" D		SB36	36" W 34 1/2" T 24" D
<u>Ordering Notes:</u>					
1.) Shelf Not Included in Sink bases 2.) All the sink bases have options for matching finished sides					

Farm Sink - (2) Door		
	FSB33	33" W 34 1/2" T 24" D
	FSB36	36" W 34 1/2" T 24" D
<u>Ordering Notes:</u>		
1.) Farm Sinks doors are 18" tall standard 2.) One (1) 3" filler included. For other size fillers, please specify. 3.) Farm Sinks have options for matching finished sides 4.) For more door sizes, please call first		

Base - (1 & 2) Door (1) Drawer (1) ROT			Base - (1 & 2) Door (1) Drawer (2) ROTs			Trash Pull-Out		
	<u>1 Door</u>	<u>2 Doors</u>		<u>1 Door</u>	<u>2 Doors</u>		<u>1 Door / Drawer</u>	<u>Full HeightDoor</u>
	B12-ROT-1	B24-ROT-1		B12-ROT-2	B24-ROT-2		B15-TRASH	B15-FH-TRASH
	B15-ROT1	B27-ROT-1		B15-ROT-2	B27-ROT-2		B18-TRASH	B18-FH -TRASH
	B18-ROT1	B30-ROT-1		B18-ROT-2	B30-ROT-2		B21-TRASH	B21-FH-TRASH
	B21-ROT1	B33-ROT-1		B21-ROT-2	B33-ROT-2			
		B36-ROT-1			B36-ROT-2			

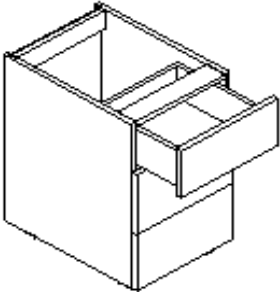
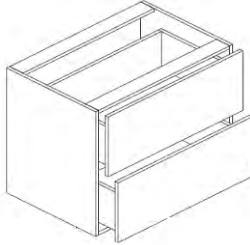
Ordering Notes:

- 1.) ROTs can be ordered separately -See Accessories catalog-
- 2.) One (1) ROT will be mounted: Bottom level
- 3.) Two (2) ROT will be mounted: Bottom & Shelf Level (same as drawer bank 2 lower drawers)
- 4.) All the base cabinets w/ roll-out trays have options for matching finished sides

Ordering Notes:

- 1.) One (1) Trash Can in 15"
- 2.) Two(2) Cans in 18" or 21"
- 3.) Kits will be mounted "Unattached" to the hinged doors. Mounting brackets will be supplied

DRAWER BANK CABINETS

Drawer Bank Base - (3) Drawer			Drawer Bank Base - (2) Drawers		
	3DB12	12" W 34 1/2" T 24" D		2DB30 2DB36	30" W 34 1/2" T 24" D 36" W 34 1/2" T 24" D
	3DB15	15" W 34 1/2" T 24" D			
	3DB18	18" W 34 1/2" T 24" D			
	3DB21	21" W 34 1/2" T 24" D			
	3DB24	24" W 34 1/2" T 24" D			
	3DB27	27" W 34 1/2" T 24" D			
	3DB30	30" W 34 1/2" T 24" D			
	3DB33	33" W 34 1/2" T 24" D			
3DB36	36" W 34 1/2" T 24" D				

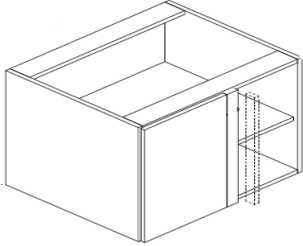
Ordering Notes:

- 1.) Top Drawer is ALWAYS the same size as the drawers from base cabinets, eg.: BXX
- 2.) Bottom (2) drawers are same size
- 3.) All the base cabinets w/ roll-out trays have options for matching finished sides

Ordering Notes:

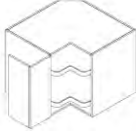

- 1.) Drawer opening is 11"
- 2.) 2DB cabinets have options for matching finished sides

BASE CORNER CABINETS

Blind Corner Base		
	BBC42-44	39"W 34 1/2"T 24"D
	BBC45-47	42"W 34 1/2"T 24"D

Ordering Notes:


- 1.) Door: 15" (like B15-FH) in BBC42-44; 18" (like B18-FH) in BBC45-47
- 2.) Please specify R or L when ordering
- 3.) 6" center fram; 2" filler included
- 4) BBC Cabinets have options for matching finished sides

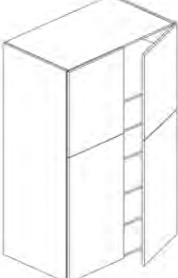
Lazy Susan /BEZ Reach Base w/ One Shelf		
	LS36	12" doors, 36" backs, 24" sides
	BEZ33	9" doors, 33" backs, 24" sides, one shelf
	BEZ36	12" doors, 36" backs, 24" sides, one shelf

Ordering Notes:

- 1.) LS36 and BEZ cabinetries have sides matching finished
- 2) BEZ cabinets have one (1) shelf inside

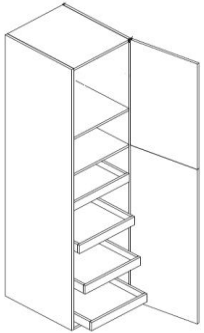
PANTRY CABINETS

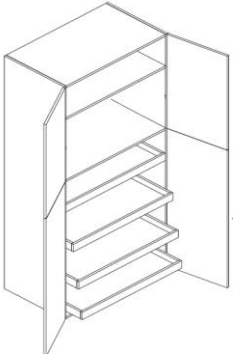
24" Depth (2) Door Pantry (18"W)		
	UP1884	18" W 84" T 24" D
	UP1890	18" W 90" T 24" D

24" Depth (4) Door Pantry (24"W & 30"W)		
	UP2484	24" W 84" T 24" D
	UP2490	24" W 90" T 24" D
	UP3084	30" W 84" T 24" D
	UP3090	30" W 90" T 24" D

Ordering Notes:

- 1.) Bottom Door ALWAYS finishes @ 54" OTF
- 2.) Shelves: Can choose from 3 shelves to 5 shelves
- 3.) Pantry cabinets all come with matching finished sides

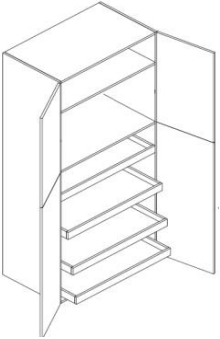
24" Depth (2) Door Pantry (18"W) with ROT(s)		
	UP1884-ROT-1	18" W 84" T 24" D
	UP1884-ROT-2	18" W 84" T 24" D
	UP1884-ROT-3	18" W 84" T 24" D
	UP1890-ROT-1	18" W 90" T 24" D
	UP1890-ROT-2	18" W 90" T 24" D
	UP1890-ROT-3	18" W 90" T 24" D

24" Depth (4) Door Pantry (24"W) with ROT(s)		
	UP2484-ROT-1	24" W 84" T 24" D
	UP2484-ROT-2	24" W 84" T 24" D
	UP2484-ROT-3	24" W 84" T 24" D
	UP2490-ROT-1	24" W 90" T 24" D
	UP2490-ROT-2	24" W 90" T 24" D
	UP2490-ROT-3	24" W 90" T 24" D

Ordering Notes:

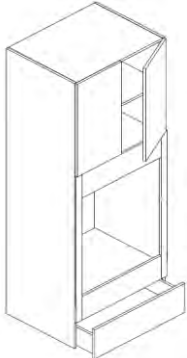
- 1.) Bottom Door ALWAYS finishes @ 54" OTF
- 2.) ROTs can be ordered separately -See Accessories catalog-
- 3.) ROT will be mounted from bottom level up.
- 4.) Pantry cabinets all come with matching finished sides

PANTRY & OVEN CABINETS

24" Depth (4) Door Pantry (30"W) with ROT(s)		
	UP3084-ROT-1	30" W 84" T 24" D
	UP3084-ROT-2	30" W 84" T 24" D
	UP3084-ROT-3	30" W 84" T 24" D
	UP3090-ROT-1	30" W 90" T 24" D
	UP3090-ROT-2	30" W 90" T 24" D
	UP3090-ROT-3	30" W 90" T 24" D

Ordering Notes:

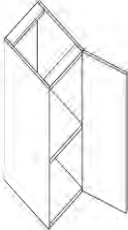
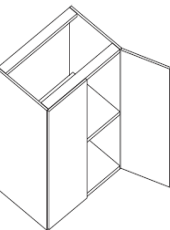
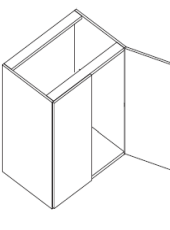
- 1.) Bottom Door ALWAYS finishes @ 54" OTF
- 2.) ROTs can be ordered separately -See Accessories catalog-
- 3.) ROT will be mounted from bottom level up.
- 4.) Pantry cabinets all come with matching finished sizes

Double Oven Cabinet			
	OVD3084	30" W 84" T 24" D	
	OVD3090	30" W 90" T 24" D	
	OVD3384	33" W 84" T 24" D	
	OVD3390	33" W 90" T 24" D	

Ordering Notes:

- 1.) Appliance Opening (Mid Part) 30" OVD = 28.5" W * 53.9" T
- 2.) Appliance Opening (Mid Part) 33" OVD = 31.5" W * 53.9" T
- 3.) Drawer: One small drawer 6"
- 4.) Oven cabinets all come with matching finished sizes

VANITY BASE CABINETS

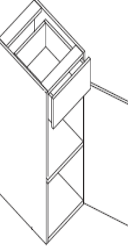
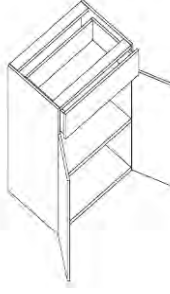
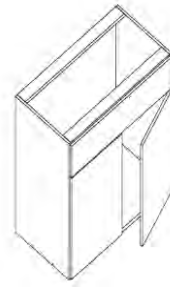
Vanity Base - (1) Full Height Door			Base - (2) Full Height Doors			Sink Base - (2) Full Height Doors		
	VB12-FH	12" W 34 1/2" T 21" D		VB24-FH	24" W 34 1/2" T 21" D		VSB21-FH	21" W 34 1/2" T 21" D
	VB15-FH	15" W 34 1/2" T 21" D		VB27-FH	27" W 34 1/2" T 21" D		VSB24-FH	24" W 34 1/2" T 21" D
	VB18-FH	18" W 34 1/2" T 21" D		VB30-FH	30" W 34 1/2" T 21" D		VSB27-FH	27" W 34 1/2" T 21" D
	VB21-FH	21" W 34 1/2" T 21" D		VB33-FH	33" W 34 1/2" T 21" D		VSB30-FH	30" W 34 1/2" T 21" D
				VB36-FH	36" W 34 1/2" T 21" D		VSB33-FH	33" W 34 1/2" T 21" D
						VSB36-FH	36" W 34 1/2" T 21" D	

Ordering Notes:

- 1.) All BXX-FH come with One (1) Shelf Only!
- 2.) All BXX-FH cabinets have options for matching finished sides

Ordering Notes:

- 1.) Shelf NOT Included in VSBXX-FH.
- 2.) VSB21 has one single door! Not as picture shows

	VB12	12" W 34 1/2" T 21" D		VB24	24" W 34 1/2" T 21" D		VSB21	21" W 34 1/2" T 21" D
	VB15	15" W 34 1/2" T 21" D		VB27	27" W 34 1/2" T 21" D		VSB24	24" W 34 1/2" T 21" D
	VB18	18" W 34 1/2" T 21" D		VB30	30" W 34 1/2" T 21" D		VSB27	27" W 34 1/2" T 21" D
	VB21	21" W 34 1/2" T 21" D		VB33	33" W 34 1/2" T 21" D		VSB30	30" W 34 1/2" T 21" D
				VB36	36" W 34 1/2" T 21" D		VSB33	33" W 34 1/2" T 21" D
						VSB36	36" W 34 1/2" T 21" D	

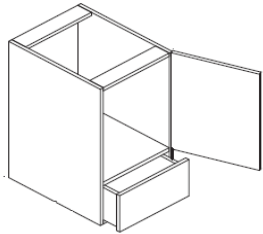
Ordering Notes:

- 1.) All BXX-FH come with One (1) Shelf Only!
- 2.) All BXX-FH cabinets have options for matching finished sides

Ordering Notes:

- 1.) Shelf NOT Included in VSBXXs.
- 2.) VSB21 has one single door! Not as picture shows

Vanity Base - (1) Door, (1) Toe Drawer

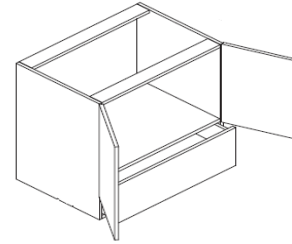


VB12-TD	12" W 34 1/2" T 21" D
VB15-TD	15" W 34 1/2" T 21" D
VB18-TD	18" W 34 1/2" T 21" D
VB21-TD	21" W 34 1/2" T 21" D

Ordering Notes:

- 1.) No Shelves included in BXX-TD
- 2.) One (1) Operable Drawer at the bottom
- 3.) All VBXX-TD cabinets have option for matching finished sides

Base - (2) Doors , (1) Toe-Drawer

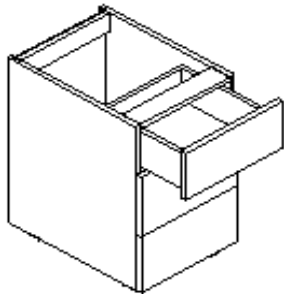


VB24-TD	24" W 34 1/2" T 21" D
VB27-TD	27" W 34 1/2" T 21" D
VB30-TD	30" W 34 1/2" T 21" D
VB33-TD	33" W 34 1/2" T 21" D
VB36-TD	36" W 34 1/2" T 21" D

Ordering Notes:

- 1.) Shelf NOT Included
- 2.) One (1) Operable Drawer at the bottom
- 3.) All VBXX-TD cabinets have option for matching finished sides

Vanity Drawer Bank Base - (3) Drawer

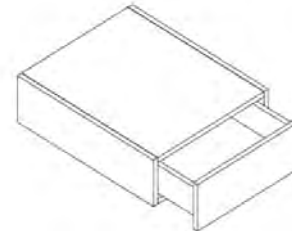


VDB12	12" W 34 1/2" T 21" D
VDB15	15" W 34 1/2" T 21" D
VDB18	18" W 34 1/2" T 21" D
VDB21	21" W 34 1/2" T 21" D
VDB24	24" W 34 1/2" T 21" D

Ordering Notes:

- 1.) Top Drawer is ALWAYS the same size as the Vanity base's top drawer
- 2.) Lower two drawers are same size
- 3.) All VDB cabinets have option for matching finished sides

Vanity Knee Drawer



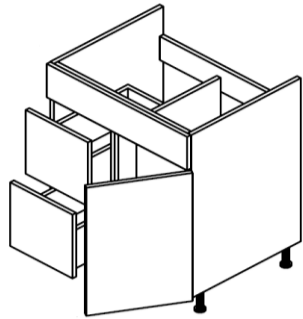
VKD30	30" W 6" T 21" D
VKD36	36" W 6" T 21" D

Ordering Notes:

- 1.) VKD comes with matching finished sides

VANITY COMBINATION CABINETS

30" (2) Drawer Vanity Combination Cabinets



VC30D-R

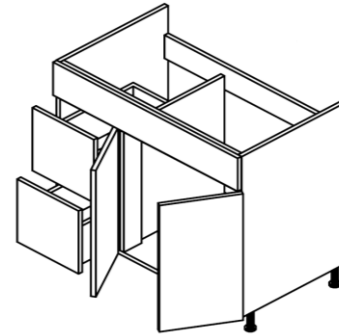
30"W 34 1/2"T 21"D

VC30D-L

Ordering Notes:

- 1.) 30" False Drawer Front
- 2.) Two (2) Usable 12" Drawers (Specify R or L when ordering)
- 3.) One (1) 18" Door (hinged as pictured on a VC30D-L)
- 4.) Vanity Combos come with matching finish sides

36" (2) Drawer Vanity Combination Cabinets



VC36D-R

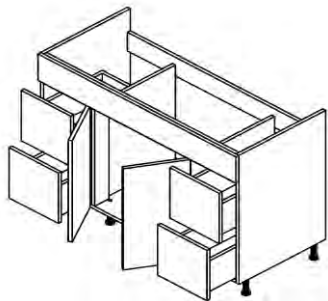
36"W 34 1/2"T 21"D

VC36D-L

Ordering Notes:

- 1.) 36" False Drawer Front
- 2.) Two (2) Usable 12" Drawers (Specify R or L when ordering)
- 3.) Two (2) 12" Door (hinged as pictured) for 24" opening.
- 4.) Vanity Combos come with matching finished sides

48" (4) Drawer Vanity Combination Cabinets



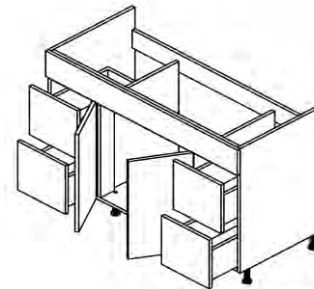
VC48D

48"W 34 1/2"T 21"D

Ordering Notes:

- 1.) 48" False Drawer Front
- 2.) Four (4) Usable 12" Drawers (2) Right (2) Left
- 3.) Two (2) 12" Doors (hinged as pictured) for 24" opening.
- 4.) Vanity Combos come with matching finished sizes

60" (4) Drawer Vanity Combination Cabinets




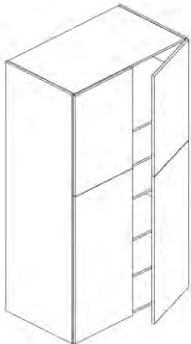
VC60D

60"W 34 1/2"T 21"D

Ordering Notes:

- 1.) 60" False Drawer Front
- 2.) Four (4) Usable 12" Drawers (2) Right (2) Left
- 3.) Two (2) 18" Doors (hinged as pictured) for 36" opening.
- 4.) Vanity Combos come with matching finished sizes



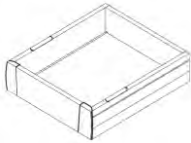

VANITY STORAGE CABINETS

21" Depth (2) Door Pantry (18"W)			21" Depth (4) Door Pantry (24"W & 30"W)		
	VUP1884 VUP1890	18" W 84" T 21" D 18" W 90" T 21" D		VUP2484 VUP2490 VUP3084 VUP3090	24" W 84" T 21" D 24" W 90" T 21" D 30" W 84" T 21" D 30" W 90" T 21" D

Ordering Notes:

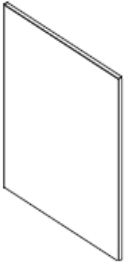
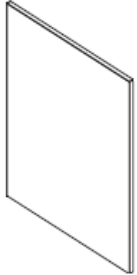

- 1.) Bottom Door ALWAYS finishes @ 54" OTF
- 2.) Shelves: Can choose from 3 shelves to 5 shelves
- 3.) Vanity Pantry cabinets all come with matching finished sizes

Accessories

Touch-Up Kit			Hinges			Dove-Tail metal Roll-Out Trays		
	TUKIT			VLH	Vertical Lift Hinge		ROT12 ROT15 ROT18 ROT21 ROT24 ROT27 ROT30 ROT33 ROT36	Tray 3" T x 21" D Tray 3" T x 21" D Tray 3" T x 21" D Tray 3" T x 21" D Tray 3" T x 21" D Tray 3" T x 21" D Tray 3" T x 21" D Tray 3" T x 21" D Tray 3" T x 21" D
				SCH	Soft Close Hinge			

Ordering Notes:

- 1.) Full Extension Soft-Close Glides Included
- 2.) ROT fits the intended cabinet: i.e. ROT12 = B12

Wall Decorative Panel			Base Panel & Side Panel			Toe Kick		
	WDP1330	13" W 30 T		VDP2230	22"W 30"T		TK 1/2	1/2" Thick
	WDP1333	13" W 33 T		BDP2530	25"W 30"T			15.7' Long
	WDP1336	13" W 36 T		SP3696	36" W 96"T			4 1/2" Tall




Ordering Notes:

- 1.) Finished Exterior to match the doors
- 2.) Wall and Base Panels will be flush to the door

Ordering Notes:




- 1) Toe Kicks are made of aluminum
- 2) Toe Kicks will come with 15.7' long

Accessories - Doors, Fillers & Skins

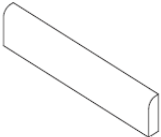
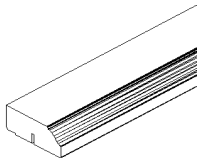
Glass Doors			Hinge Top Glass Doors			Wall Corner Cabinet Glass Doors			
	W2430-GD	<u>Fits:</u> W1230,2430		W3012-GHTD	<u>Fits:</u> W3012-HT		WDC2430-GD	<u>Fits:</u> WDC2430	
	W2436-GD	<u>Fits:</u> W1236,2436		W3015-GHTD	<u>Fits:</u> W3015-HT			WDC2436-GD	<u>Fits:</u> WDC2436
	W3030-GD	<u>Fits:</u> W1530,3030		W3018-GHTD	<u>Fits:</u> W3018-HT				
	W3036-GD	<u>Fits:</u> W1536,3036		W3612-GHTD	<u>Fits:</u> W3612-HT				
			W3615-GHTD	<u>Fits:</u> W3615-HT					
			W3618-GHTD	<u>Fits:</u> W3618-HT					

Ordering Notes:

- 1) Glass Doors can be ordered separately
- 2) We offer Frosted Glass

Base Fillers			Wall Fillers			Tall Fillers		
	BF1/2	1/2" W 30" T		WF1/2-30	WF1/2-36		TF1/2-90	1/2" W 90" T
	BF1	1" W 30" T		WF1-30	WF1-36		TF3/4-90	3/4" W 90" T
	BF2	2" W 30" T		WF2-30	WF2-36		TF1-90	1" W 90" T
	BF3	3" W 30" T		WF3-30	WF3-36		TF2-90	2" W 90" T
	BF6	6" W 30" T		WF6-30	WF6-36		TF3-90	3" W 90" T
						TF6-90	6" W 90" T	

Accessories: Moldings

Scribe Molding			Light Rail/ Crown Molding		
	SCM	3/4"W 1/4"T 96"L		LRM	2-1/4" W 1"T 96"L
				CRM	2-1/4" W 1"T 96"L

Ordering Notes:

1) LRM can also be used as Crown Molding